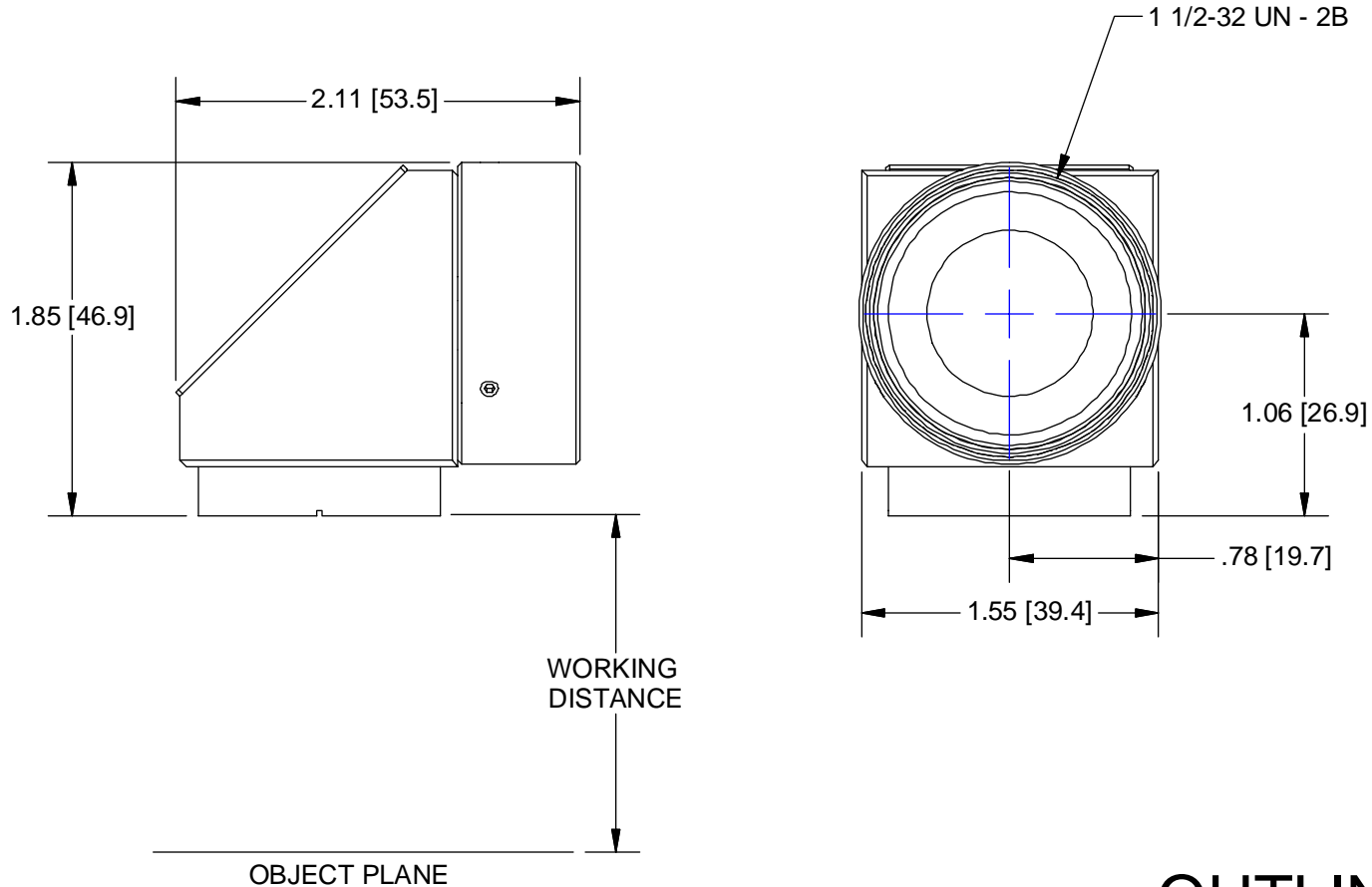


LENS ATTACHMENT

WORKING DISTANCE (mm)

0.5X	118
0.75X	61
NONE	30
1.5X	3



OUTLINE



Pyramid Imaging


945 East 11th Avenue Tampa, FL 33605
 sales@pyramidimaging.com
 www.pyramidimaging.com
 813-786-3785

UNLESS OTHERWISE SPECIFIED DIMENSIONS ARE IN INCHES AND INCLUDE CHEMICALLY APPLIED OR PLATED FINISHES	
SCALE:	1:1
WEIGHT:	.17 lbm
DR:	R. PODLENA
CH:	P. BONAFEDE
PROJECT #:	E1992
DATE DR:	6/16/2004

THE CONTENTS OF THIS DOCUMENT ARE PROPRIETARY TO NAVITAR, ITS USE IS AUTHORIZED ONLY FOR RESPONDING TO REQUEST FOR QUOTATION OR PERFORMANCE OF WORK FOR NAVITAR

0.0 inch 1.0
 0.0 mm 25.0

DO NOT SCALE DRAWING

 ROCHESTER, NEW YORK		
RIGHT ANGLE LENS ATTACHMENT ASS'Y - 12x		
SIZE	1-51490	REV
A	SHEET 1 OF 1	B