

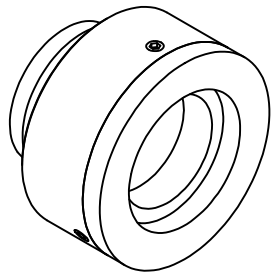
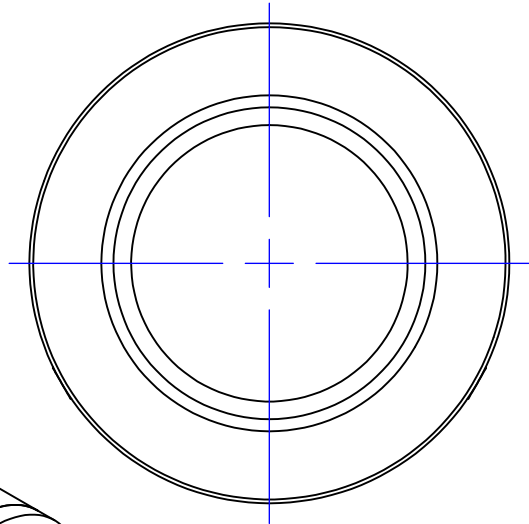


945 East 11<sup>th</sup> Avenue Tampa, FL 33605

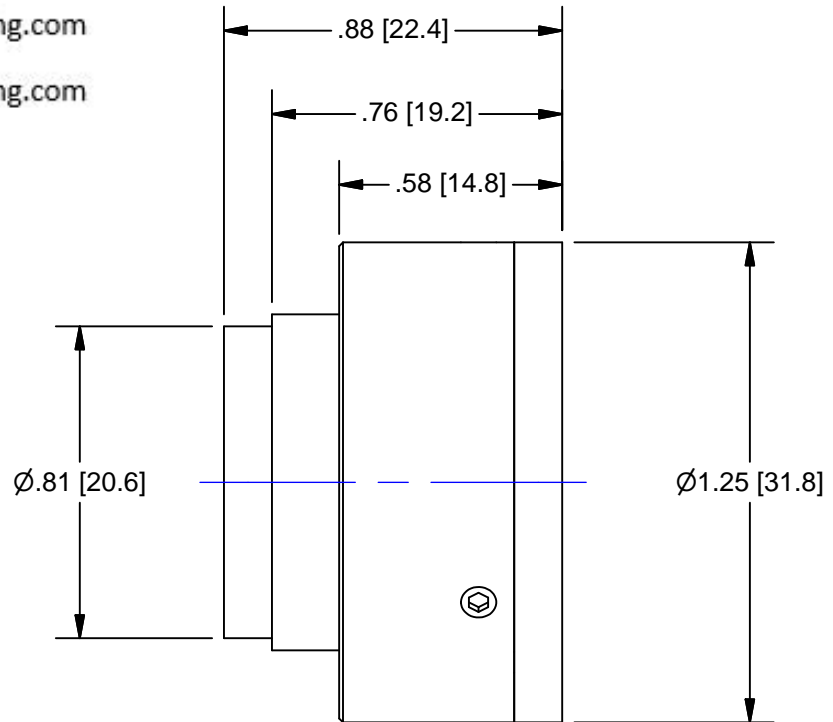
Phone: (813) 984-0125

Contact: Sales@pyramidimaging.com

<https://pyramidimaging.com>



SCALE 1 : 1



## OUTLINE

UNLESS OTHERWISE SPECIFIED DIMENSIONS ARE IN INCHES AND INCLUDE CHEMICALLY APPLIED OR PLATED FINISHES		THE CONTENTS OF THIS DOCUMENT ARE PROPRIETARY TO NAVITAR, ITS USE IS AUTHORIZED ONLY FOR RESPONDING TO REQUEST FOR QUOTATION OR PERFORMANCE OF WORK FOR NAVITAR		 ROCHESTER, NEW YORK	
SCALE:	2:1	0.0    inch    1.0 		12X POLARIZER (SIMPLE)	
WEIGHT:					
DR:	DJM	0.0    mm    25.0 		SIZE	2-51485
CH:	PB				
PROJECT #:		DO NOT SCALE DRAWING		A	SHEET 2 OF 2
DATE DR:	7/28/2004				