

Pyramid Imaging


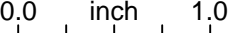
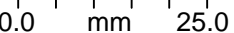
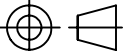
945 East 11th Avenue Tampa, FL 33605

sales@pyramidimaging.com

www.pyramidimaging.com

813-786-3785

OUTLINE

UNLESS OTHERWISE SPECIFIED DIMENSIONS ARE IN INCHES AND INCLUDE CHEMICALLY APPLIED OR PLATED FINISHES		THE CONTENTS OF THIS DOCUMENT ARE PROPRIETARY TO NAVITAR, ITS USE IS AUTHORIZED ONLY FOR RESPONDING TO REQUEST FOR QUOTATION OR PERFORMANCE OF WORK FOR NAVITAR		 ROCHESTER, NEW YORK		
SCALE:	1:1	0.0 inch 1.0  0.0 mm 25.0 		FOCUSSING EYEPIECE MOUNT		
WEIGHT:				SIZE A	1-6050	REV C
DR:	ERTEL					
CH:		DO NOT SCALE DRAWING		SHEET 2 OF 2		
PROJECT #:						
DATE DR:	1/18/2002					