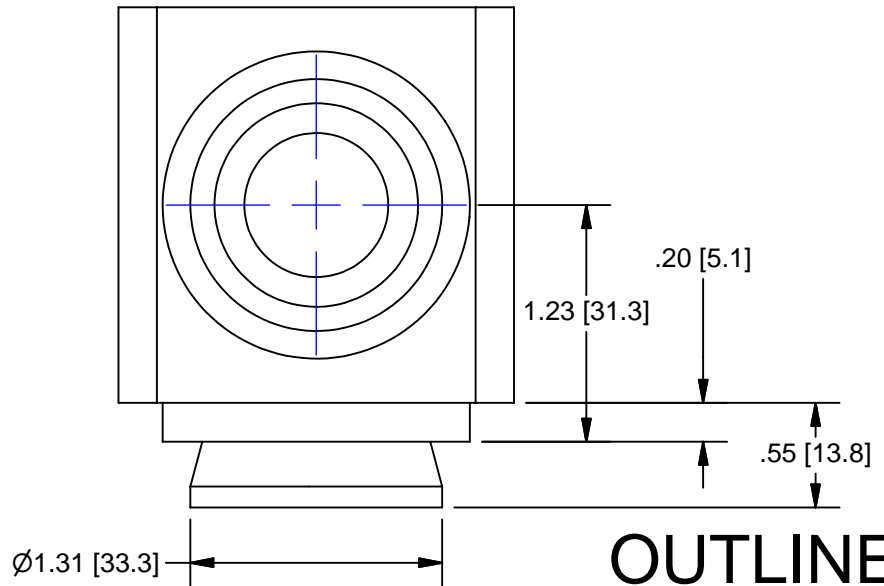
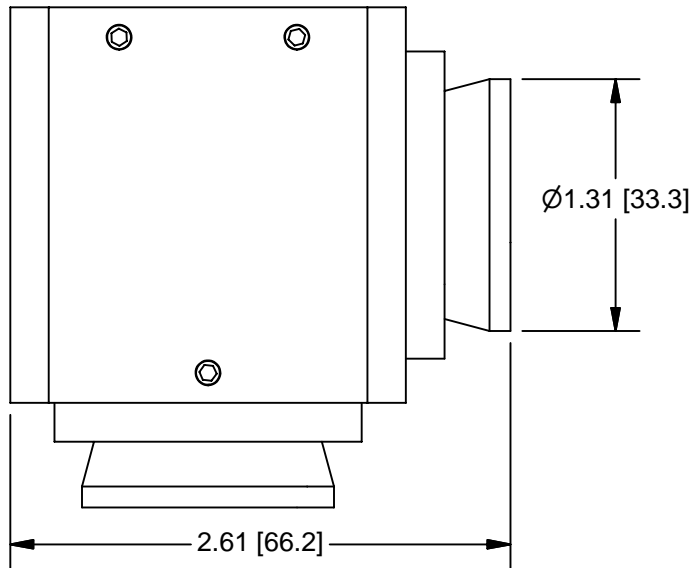


945 East 11th Avenue Tampa, FL 33605

Phone: (813) 984-0125

Contact: Sales@pyramidimaging.com

<https://pyramidimaging.com>



OUTLINE

UNLESS OTHERWISE SPECIFIED
DIMENSIONS ARE IN INCHES [MM]
AND INCLUDE CHEMICALLY
APPLIED OR PLATED FINISHES

SCALE: 1:1

WEIGHT: N/A

DR BY: R. PODLENA

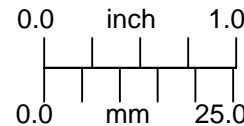
CH BY:

PROJECT #:

DATE DR: 6/18/2003

PROPRIETARY AND CONFIDENTIAL

THE INFORMATION CONTAINED IN THIS
DRAWING IS THE SOLE PROPERTY OF
NAVITAR. ANY REPRODUCTION IN PART
OR AS A WHOLE WITHOUT THE WRITTEN
PERMISSION OF NAVITAR IS PROHIBITED.



DO NOT SCALE DRAWING



ZOOM 6000 AUXILIARY VIEWING
PORT

SIZE
A

1-60370
SHEET 2 OF 2

REV
C