

**CUBE BEAMSPLITTER SPECIFICATIONS:**

Edge Tolerance:  $\pm 0.3\text{mm}$

Material: BK7, grade A fine annealed

Face Flatness:  $\lambda/2$  per clear aperture @ 632.8nm

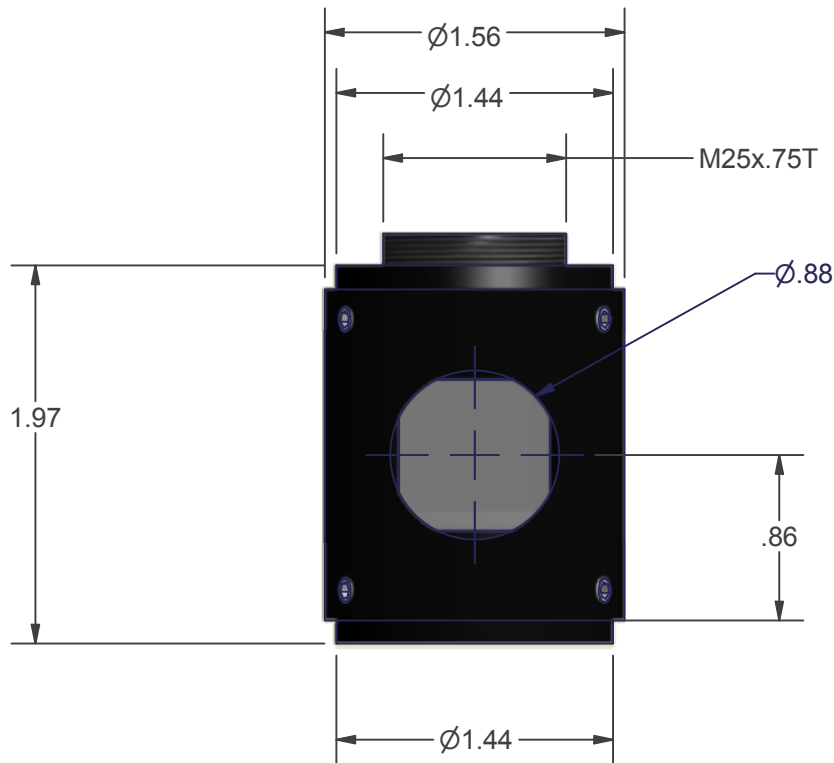
Transmission:  $45\% \pm 6\%$  ( $\pm 5\%$  variation w/wavelength)

Absorption:  $<10\%$

Transmitted Beam Deviation:  $<10$  arc minutes

Coating: AR coating (entrance and exit faces)

Surface Quality: 60-40 scratch/dig, beveled edges



**Pyramid Imaging**

945 East 11th Avenue Tampa, FL 33605  
 sales@pyramidimaging.com  
 www.pyramidimaging.com  
 813-786-3785

**OUTLINE**

UNLESS OTHERWISE SPECIFIED DIMENSIONS ARE IN INCHES AND INCLUDE CHEMICALLY APPLIED OR PLATED FINISHES		THE CONTENTS OF THIS DOCUMENT ARE PROPRIETARY TO NAVITAR, ITS USE IS AUTHORIZED ONLY FOR RESPONDING TO REQUEST FOR QUOTATION OR PERFORMANCE OF WORK FOR NAVITAR			
SCALE:	1:1	0.0    inch    1.0 		<b>LASER INJECTION PORT, LOW INTENSITY</b>	
WEIGHT:	0.185 lbm				
DR:	R. PODLENA	0.0    mm    25.0 		SIZE <b>A</b>	
CH:	P. BONAFEDE				
PROJECT #:		DO NOT SCALE DRAWING 		<b>1-60380</b>	
DATE DR:	7/12/2001				
				SHEET 2 OF 2	
				REV <b>B</b>	