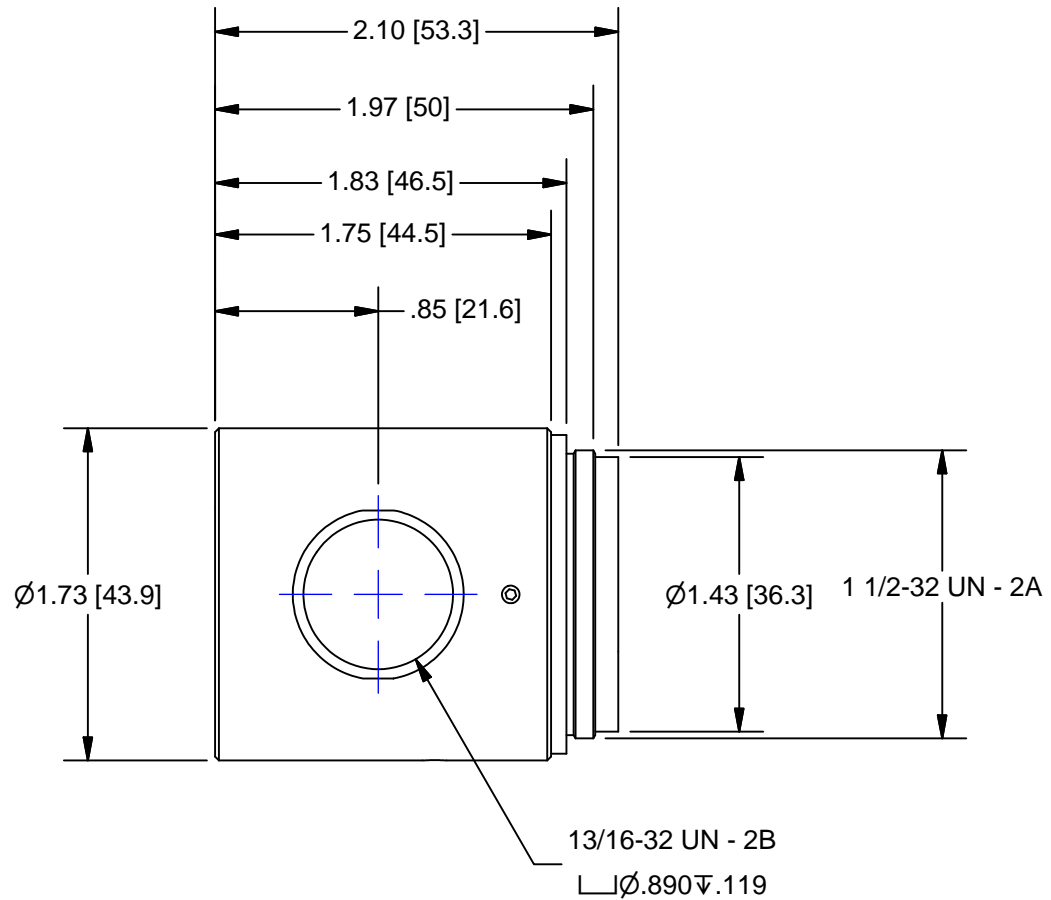
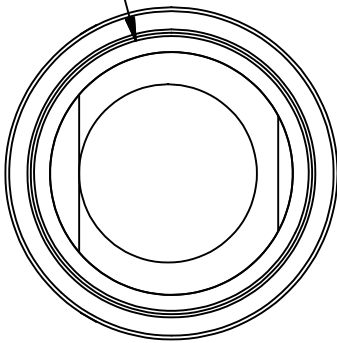


1 1/2-32 UN - 2B



Pyramid Imaging

945 East 11th Avenue Tampa, FL 33605
 sales@pyramidimaging.com
 www.pyramidimaging.com
 813-786-3785

OUTLINE

UNLESS OTHERWISE SPECIFIED DIMENSIONS ARE IN INCHES [MM] AND INCLUDE CHEMICALLY APPLIED OR PLATED FINISHES		PROPRIETARY AND CONFIDENTIAL				
SCALE: 1:1		THE INFORMATION CONTAINED IN THIS DRAWING IS THE SOLE PROPERTY OF NAVITAR. ANY REPRODUCTION IN PART OR AS A WHOLE WITHOUT THE WRITTEN PERMISSION OF NAVITAR IS PROHIBITED.				
WEIGHT: 0.21 lbmass		0.0 inch 1.0 		INTERFACE, COAXIAL, DUAL VIEW		
DR BY: BJC		0.0 mm 25.0				
CH BY: R. PODLENA		DO NOT SCALE DRAWING		SIZE	1-64123	
PROJECT #: E2715				A		REV
DATE DR: 8/11/2010					SHEET 2 OF 2	A