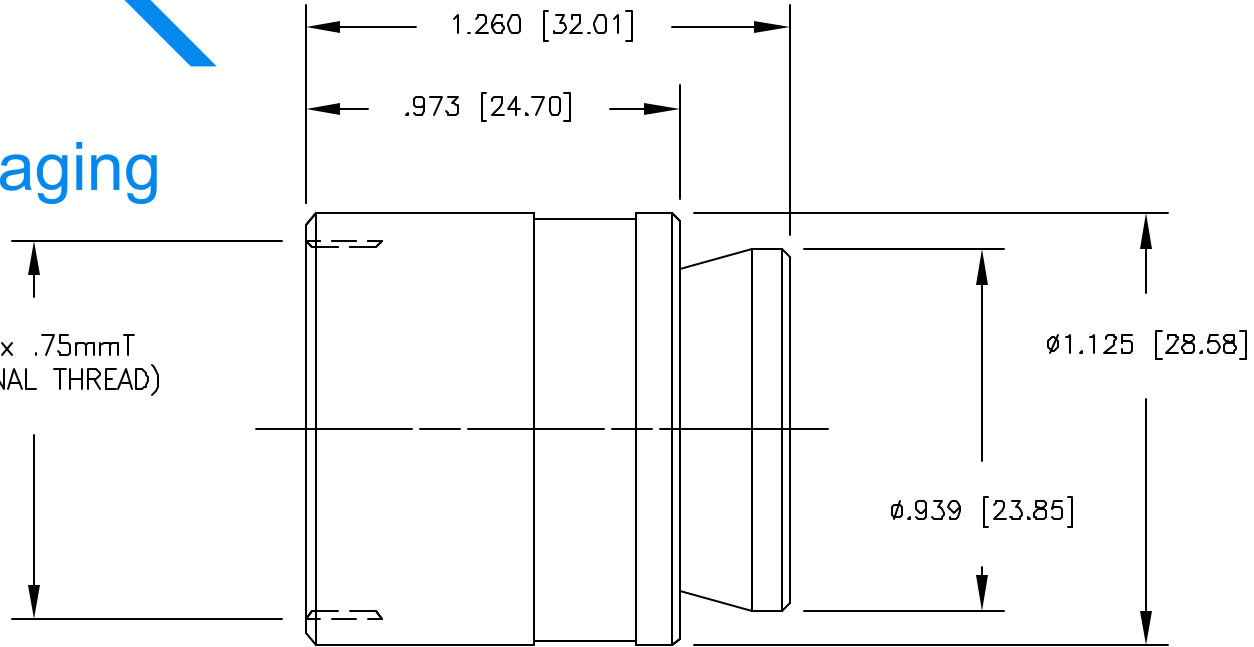


REV	CHANGE RECORD AND DATE	CH
A	RELEASE 12-2-99	DJM



DIMENSIONS ARE IN INCHES [MM]

945 East 11th Avenue Tampa, FL 33605
 Phone: (813) 984-0125
 Contact: Sales@pyramidimaging.com
<https://pyramidimaging.com>



NEXT ASSY.

USED ON

MATERIAL	UNLESS OTHERWISE SPECIFIED DIMENSIONS ARE IN INCHES AND INCLUDE CHEMICALLY APPLIED OR PLATED FINISHES		<u>P/N Suffix Definition</u> -1 Conversion Coating -2 Painting -3 Marking -R Rework			
	TOLERANCES AS FOLLOWS DEC. .XXX ±.005 DEC. .XX ±.010 FRACT. ±1/64 ANGLES ±30° CONCENTRICITY .003 TIR BREAK ALL SHARP EDGES .005 MIN. .010 MAX. MAX. SURF. ROUGHNESS $\sqrt{32}$					SCALE 2:1 DR. DJM CH. PB APP. DATE DR. 12-2-99 DO NOT SCALE DRAWING
FINISH			0.0 inch 1.0 0.0 mm 25.0 	SIZE A	1-61517 OL	REV A
CHAMFER ALL THREADS 30° TO ROOT DIAM.				A	SHT. 1 OF 1	