

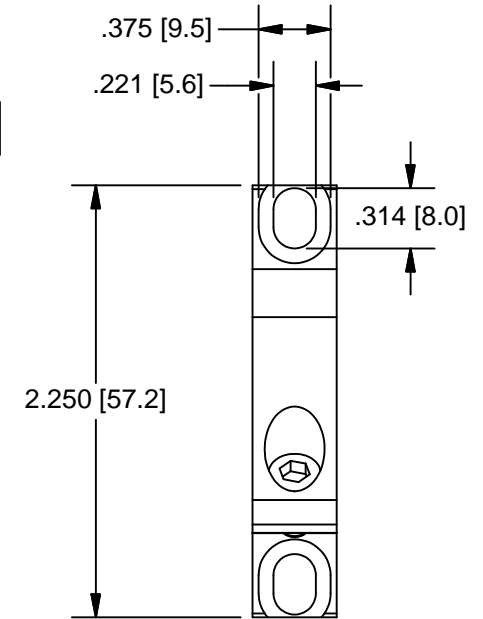
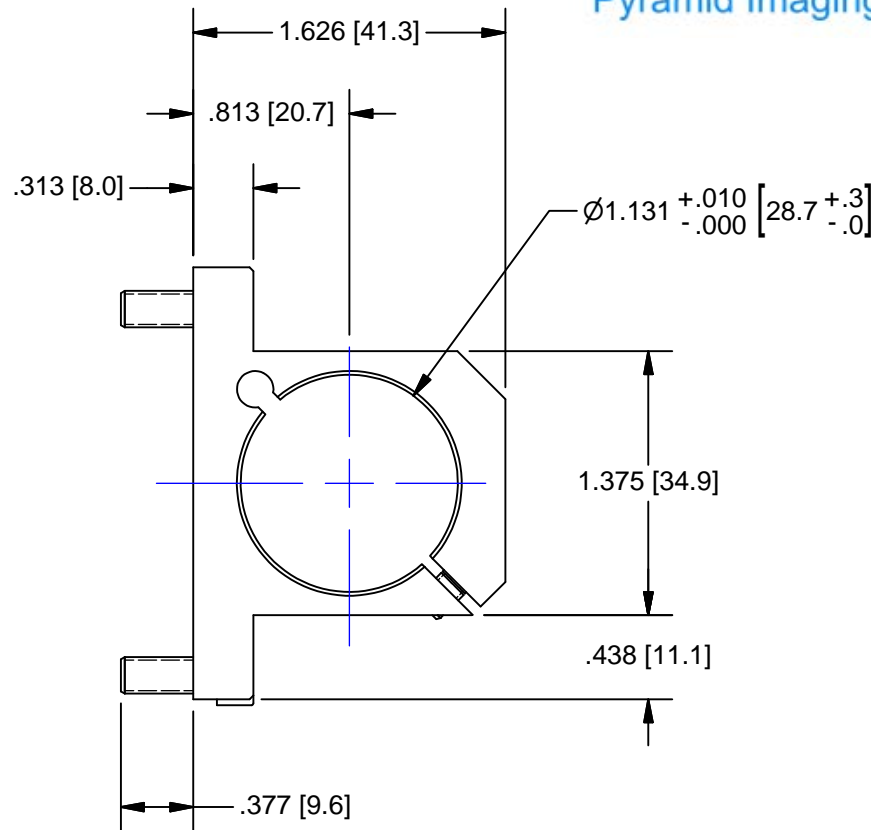
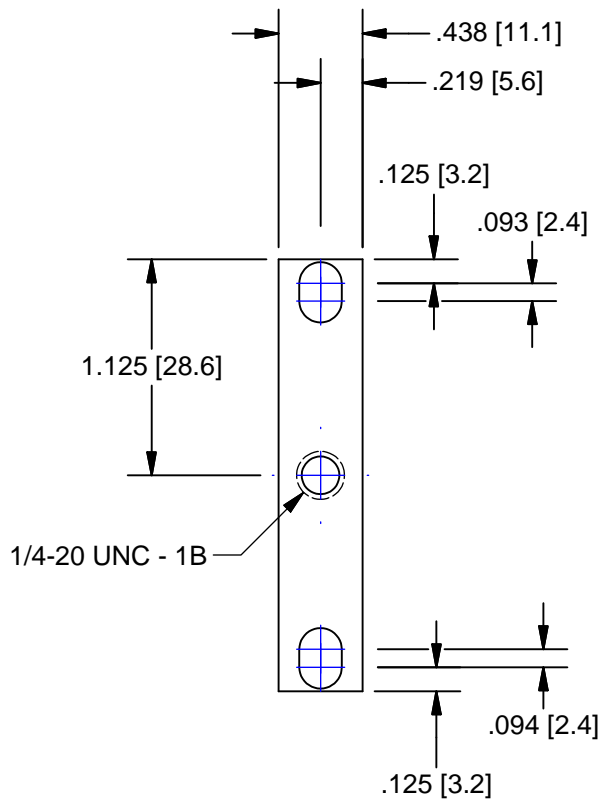


945 East 11th Avenue Tampa, FL 33605

Phone: (813) 984-0125

Contact: Sales@pyramidimaging.com

https://pyramidimaging.com



OUTLINE



Pyramid Imaging

945 East 11th Avenue Tampa, FL 33605

sales@pyramidimaging.com

www.pyramidimaging.com

813-786-3785

UNLESS OTHERWISE SPECIFIED
DIMENSIONS ARE IN INCHES [MM]
AND INCLUDE CHEMICALLY
APPLIED OR PLATED FINISHES

SCALE: 1:1

WEIGHT: N/A

DR BY: BE

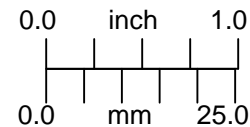
CH BY:

PROJECT #:

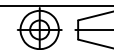
DATE DR: 11/15/1999

PROPRIETARY AND CONFIDENTIAL

THE INFORMATION CONTAINED IN THIS
DRAWING IS THE SOLE PROPERTY OF
NAVITAR. ANY REPRODUCTION IN PART
OR AS A WHOLE WITHOUT THE WRITTEN
PERMISSION OF NAVITAR IS PROHIBITED.



DO NOT SCALE DRAWING



CLAMP BRACKET ASS'Y FOR PRECISE
EYE

SIZE
A

1-61510
SHEET 2 OF 2

REV
B