

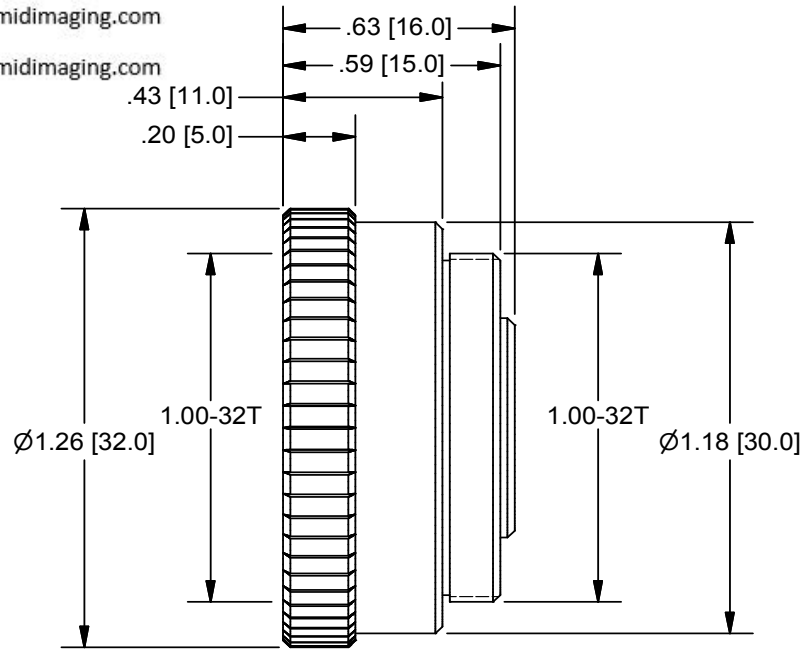


945 East 11th Avenue Tampa, FL 33605

Phone: (813) 984-0125

Contact: Sales@ pyramidimaging.com

<https://pyramidimaging.com>



OUTLINE

USED ON:

MATERIAL:

UNLESS OTHERWISE SPECIFIED
DIMENSIONS ARE IN INCHES AND
INCLUDE CHEMICALLY APPLIED
OR PLATED FINISHES

TOLERANCES AS FOLLOWS

DEC. .XXX ± .005
DEC. .XX ± .010
FRACT. ± 1/64
ANGLES ± 30'
CONCENTRICITY .003 TIR
BREAK ALL SHARP EDGES
.005 MIN. .010 MAX.

MAX. SURF. ROUGHNESS: $\sqrt{32}$

P/N SUFFIX DEFINITION

- 1 CONVERSION COATING
- 2 PAINTING
- 3 MARKING
- R REWORK

SCALE: 1:1

DR: DJM

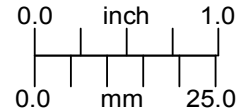
CH: PB

APP: PB

DATE DR: 9/21/2004

DO NOT SCALE DRAWING

THE CONTENTS OF THIS
DOCUMENT ARE PROPRIETARY
TO NAVITAR, ITS USE IS
AUTHORIZED ONLY FOR
RESPONDING TO REQUEST FOR
QUOTATION OR PERFORMANCE
OF WORK FOR NAVITAR



2X TV EXTENDER

SIZE

A

2XE_OL

SHEET 1 OF 1

REV

A

CHAMFER ALL THREADS 30°
TO ROOT DIAMETER