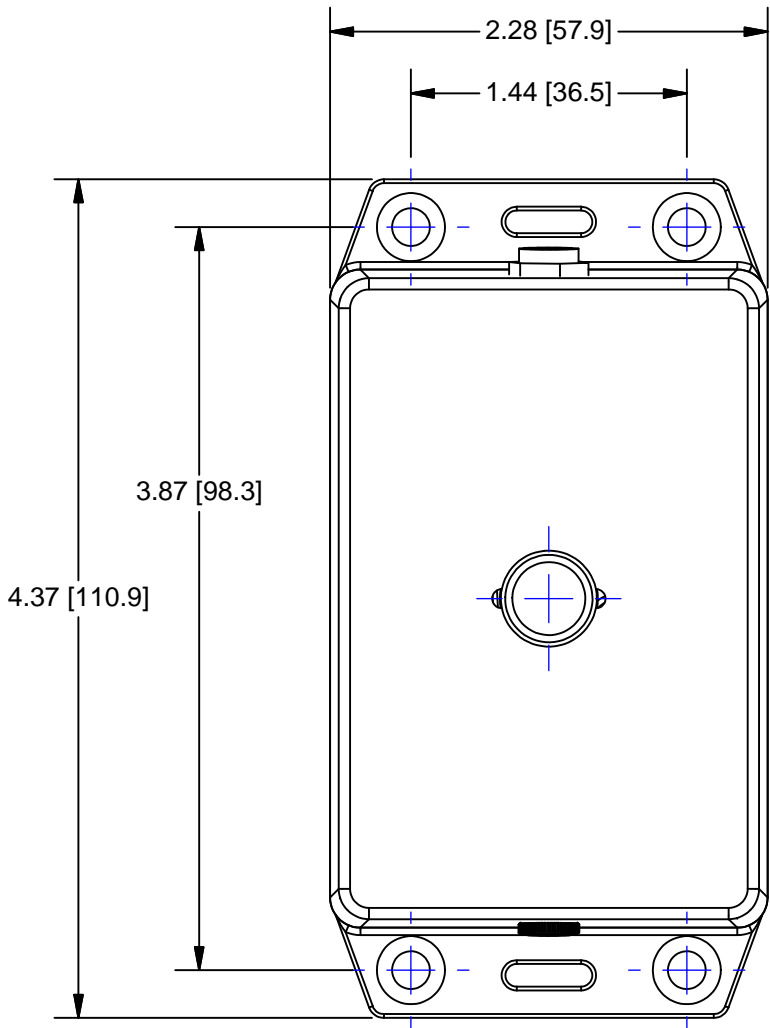


REVISION HISTORY				
REV	DESCRIPTION	DATE	DR BY	CH BY
A	RELEASE	12/14/98	BE	---
B	ECO#021110	06/12/02	DJM	PB
C	E2498	12/09/08	CLB	BAE

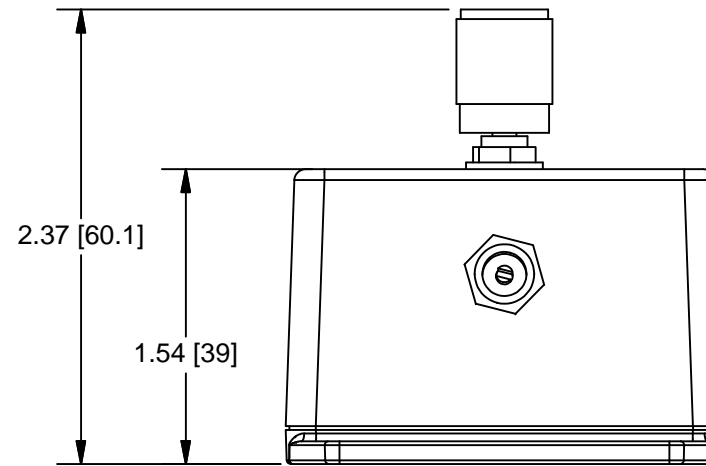


945 East 11<sup>th</sup> Avenue Tampa, FL 33605

Phone: (813) 984-0125

Contact: Sales@pyramidimaging.com

<https://pyramidimaging.com>



# OUTLINE

UNLESS OTHERWISE SPECIFIED DIMENSIONS ARE IN INCHES AND INCLUDE CHEMICALLY APPLIED OR PLATED FINISHES

**PROPRIETARY AND CONFIDENTIAL**

THE INFORMATION CONTAINED IN THIS DRAWING IS THE SOLE PROPERTY OF NAVITAR. ANY REPRODUCTION IN PART OR AS A WHOLE WITHOUT THE WRITTEN PERMISSION OF NAVITAR IS PROHIBITED.



SCALE: 1:1

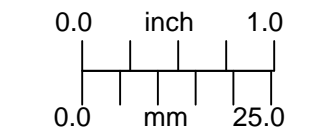
WEIGHT: N/A

DR BY: C Boggio

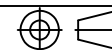
CH BY: B.EVANS

PROJECT #: E2498

DATE DR: 12/02/2008



DO NOT SCALE DRAWING



DIMMER KIT, RING LIGHT LED

SIZE  
**A**

**1-62226**  
SHEET 3 OF 3

REV  
**C**