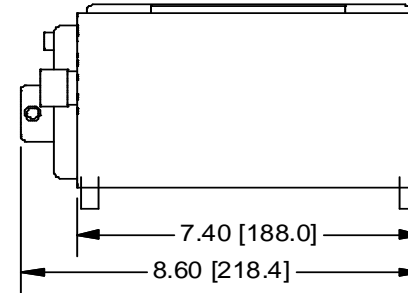
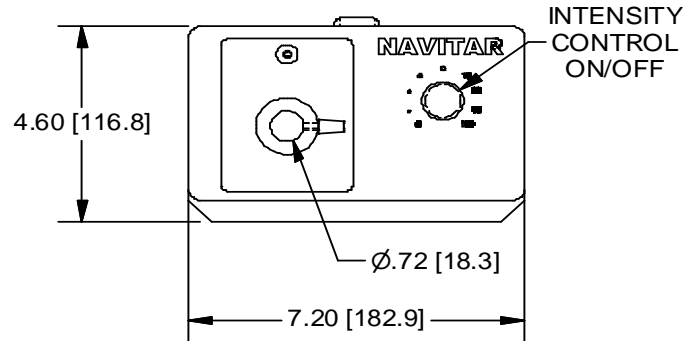
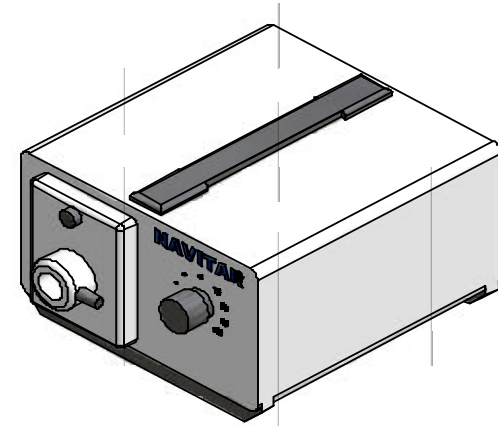


NOTES:
 POWER CONSUMPTION 190 WATTS (NOMINAL)
 OUTPUT VOLTAGE 0-21 VOLTS AC
 FIBER RECEPTACLE .720" (13.3mm)
 OPERATING TEMPERATURE 0° TO 50°C
 INPUT VOLTAGE:
 8-61172 120Vac 60Hz
 1-60563 230Vac 50/60Hz (SUPPLIED WITH 6' PIGTAILS)
 CSA APPROVED TO UL SPEC, CE COMPLIANT



OUTLINE

USED ON:

MATERIAL:	UNLESS OTHERWISE SPECIFIED DIMENSIONS ARE IN INCHES AND INCLUDE CHEMICALLY APPLIED OR PLATED FINISHES	P/N SUFFIX DEFINITION -1 CONVERSION COATING -2 PAINTING -3 MARKING -R REWORK	THE CONTENTS OF THIS DOCUMENT ARE PROPRIETARY TO NAVITAR, ITS USE IS AUTHORIZED ONLY FOR RESPONDING TO REQUEST FOR QUOTATION OR PERFORMANCE OF WORK FOR NAVITAR			
	FINISH:	TOLERANCES AS FOLLOWS DEC. .XXX ± .005 DEC. .XX ± .010 FRACT. ± 1/64 ANGLES ± 30' CONCENTRICITY .003 TIR BREAK ALL SHARP EDGES .005 MIN. .010 MAX. MAX. SURF. ROUGHNESS: $\sqrt{32}$				SCALE: 1:4 DR: DJM CH: PB APP: PB DATE DR: 2/6/2004 DO NOT SCALE DRAWING
CHAMFER ALL THREADS 30° TO ROOT DIAMETER				SIZE A	8-61172/1-60563 SHEET 1 OF 1	REV A