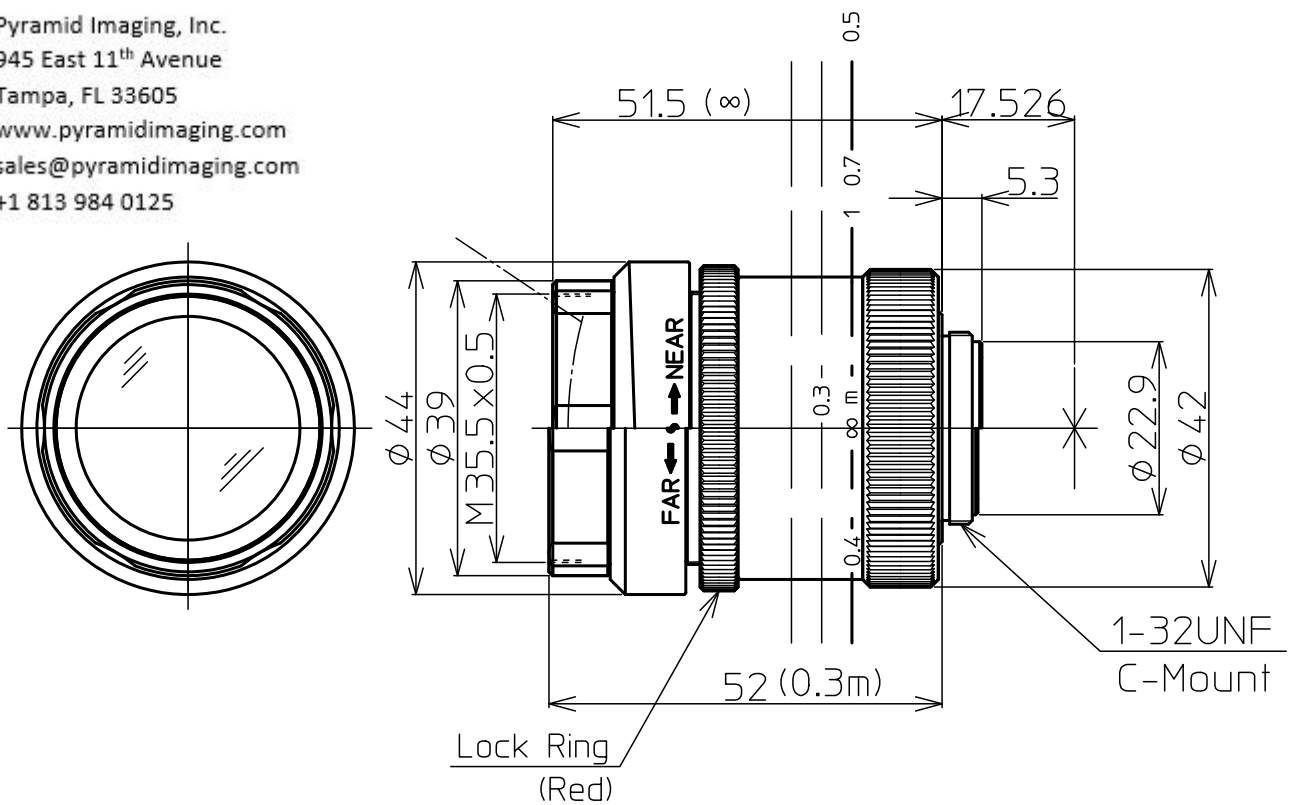


Pyramid Imaging, Inc.
 945 East 11th Avenue
 Tampa, FL 33605
 www.pyramidimaging.com
 sales@pyramidimaging.com
 +1 813 984 0125



1" 1.4/12.5mm C		1"	2/3"	1/1.8"
FOCAL LENGTH		f=12.5mm		
F-NUMBER		F=1:1.4,2.8,4,8		
PICTURE SIZE		9.6x12.8mm	6.6x8.8mm	5.4x7.2mm
ANGLE OF VIEW (∞)	VER. ANGLE	42.5°	29.5°	24.2°
	HOR. ANGLE	55.6°	39.1°	32.1°
	DIA. ANGLE	67.6°	48.3°	39.9°
DISTORTION (TV)		-1.58%	-1%	-0.6%
FIELD OF VIEW (MINIMUM FOCUS DISTANCE)	VER.	243.5mm	165.2mm	134.6mm
	HOR.	330.6mm	222.4mm	180.6mm
	DIA.	420.6mm	281.3mm	227.7mm
MINIMUM FOCUS DISTANCE		0.3m		
FLANGE BACK		17.526mm in air		
BACK FOCUS		12.6mm in air		
FILTER SCREW SIZE		M35.5x0.5		
FRONT/REAR EFFECTIVE DIA.		FRONT φ28.1mm		REAR φ17.5mm
MOUNT		C-MOUNT		
EXIT PUPIL		-45.9mm		
TEMPERATURE RANGE		-10~+50°C		
STORAGE TEMPERATURE RANGE		-20~+60°C		
RESOLUTION CENTER/CORNER		CENTER 120lp/mm		CORNER 80lp/mm
WEIGHT		130g		

NOTE: Specifications and availability are subject to change without notice
 注) 本仕様については、予告なしに変更する場合があります。



		尺度	1/1	工場番号	HR976SR
		機種名	F1.4/f12mm耐振レンズ		
2016.02.09	重量記載	機種番	LM12HC-V		
2015.10.28	更新				
2015.9.8	作成年月日				