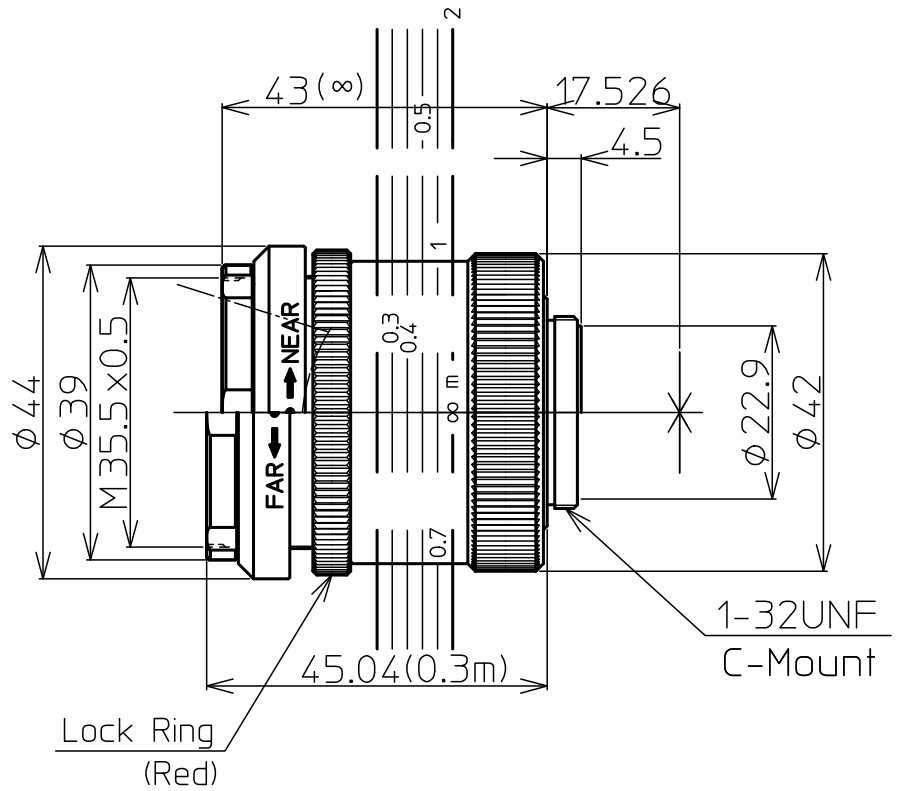
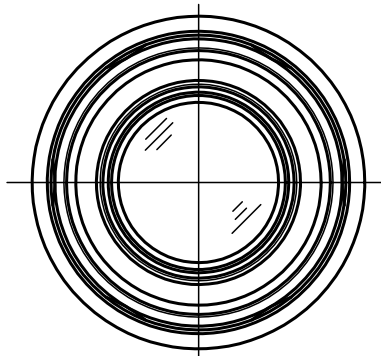


Pyramid Imaging, Inc.
 945 East 11th Avenue
 Tampa, FL 33605
 www.pyramidimaging.com
 sales@pyramidimaging.com
 +1 813 984 0125



1" 1.4/25mm C		1"	2/3"	1/1.8"
FOCAL LENGTH		f=25mm		
F-NUMBER		F=1:1.4,2.8,4,8		
PICTURE SIZE		9.6x12.8mm	6.6x8.8mm	5.4x7.2mm
ANGLE OF VIEW (∞)	VER. ANGLE	22.0°	15.1°	12.4°
	HOR. ANGLE	29.3°	20.2°	16.5°
	DIA. ANGLE	36.6°	25.2°	20.6°
DISTORTION (TV)		-1.0%	-0.5%	-0.3%
FIELD OF VIEW (MINIMUM FOCUS DISTANCE)	VER.	119.2mm	81.4mm	66.5mm
	HOR.	160.7mm	109.1mm	88.9mm
	DIA.	204.3mm	137.4mm	111.7mm
MINIMUM FOCUS DISTANCE		0.3m		
FLANGE BACK		17.526mm in air		
BACK FOCUS		16.5mm in air		
FILTER SCREW SIZE		M35.5x0.5		
FRONT/REAR EFFECTIVE DIA.		FRONT φ21.0mm		REAR φ19.4mm
MOUNT		C-MOUNT		
EXIT PUPIL		-57.9mm		
TEMPERATURE RANGE		-10~+50°C		
STORAGE TEMPERATURE RANGE		-20~+60°C		
RESOLUTION CENTER/CORNER		CENTER 120lp/mm		CORNER 80lp/mm
WEIGHT		104g		

NOTE: Specifications and availability are subject to change without notice
 注) 本仕様については、予告なしに変更する場合があります。



		尺度	1/1	工場番号	HR978SR
		機種名	F1.4/f25mm耐振レンズ		
2016.2.8	最近接時長さ修正 45.04~48.42 重量記載	機種番	LM25HC-V		
2015.9.8	作成年月日				