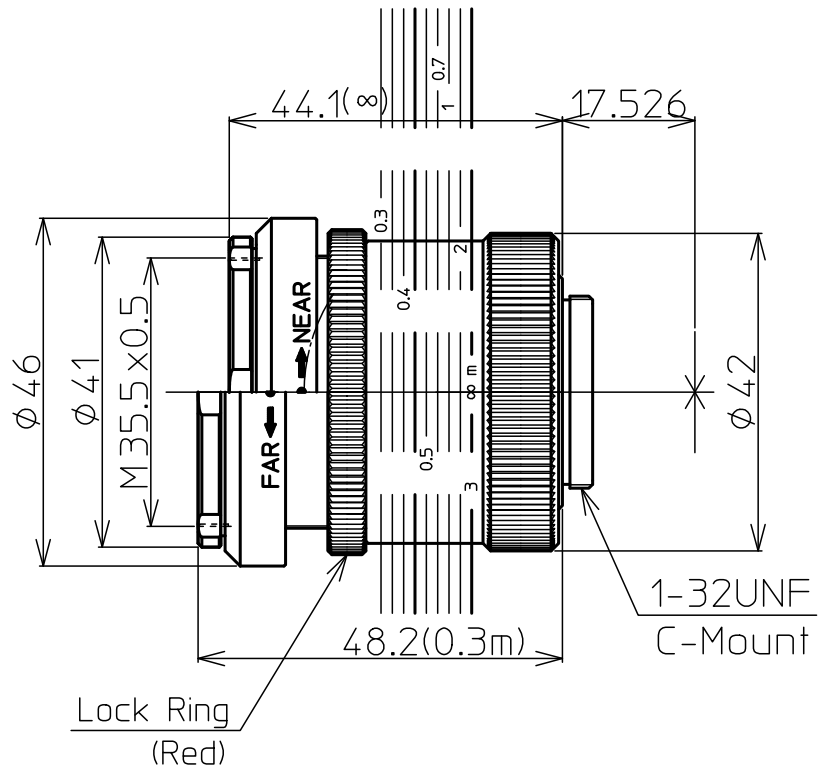
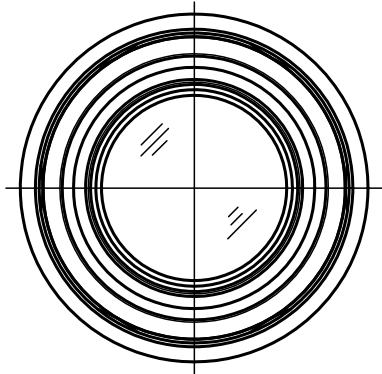


Pyramid Imaging, Inc.  
 945 East 11<sup>th</sup> Avenue  
 Tampa, FL 33605  
 www.pyramidimaging.com  
 sales@pyramidimaging.com  
 +1 813 984 0125



	1"	2/3"	1/1.8"
FOCAL LENGTH	f=35mm		
F-NUMBER	F=1:1.4,2.8,4,8		
PICTURE SIZE	9.6x12.8mm	6.6x8.8mm	5.4x7.2mm
ANGLE OF VIEW (∞)	VER. ANGLE	15.8°	10.8°
	HOR. ANGLE	20.9°	14.4°
	DIA. ANGLE	26.1°	18.0°
DISTORTION (TV)	-0.5%	-0.3%	-0.1%
FIELD OF VIEW (MINIMUM FOCUS DISTANCE)	VER.	82.0mm	56.2mm
	HOR.	110.1mm	75.2mm
	DIA.	139.3mm	94.4mm
MINIMUM FOCUS DISTANCE	0.3m		
FLANGE BACK	17.526mm in air		
BACK FOCUS	16.8mm in air		
FILTER SCREW SIZE	M35.5x0.5		
FRONT/REAR EFFECTIVE DIA.	FRONT φ24.3mm		REAR φ19.1mm
MOUNT	C-MOUNT		
EXIT PUPIL	-50.9mm		
TEMPERATURE RANGE	-10~+50°C		
STORAGE TEMPERATURE RANGE	-20~+60°C		
RESOLUTION CENTER/CORNER	CENTER 120lp/mm		CORNER 80lp/mm
WEIGHT	133g		

NOTE: Specifications and availability are subject to change without notice  
 注) 本仕様については、予告なしに変更する場合があります。



		尺度	1/1	工場番号	HR979SR
		機種名	F1.4/f35mm耐振レンズ		
2016.2.8	最近接時長さ修正 48.2-49.5 重量記載	機種番	LM35HC-V		
2015.9.8	作成年月日				