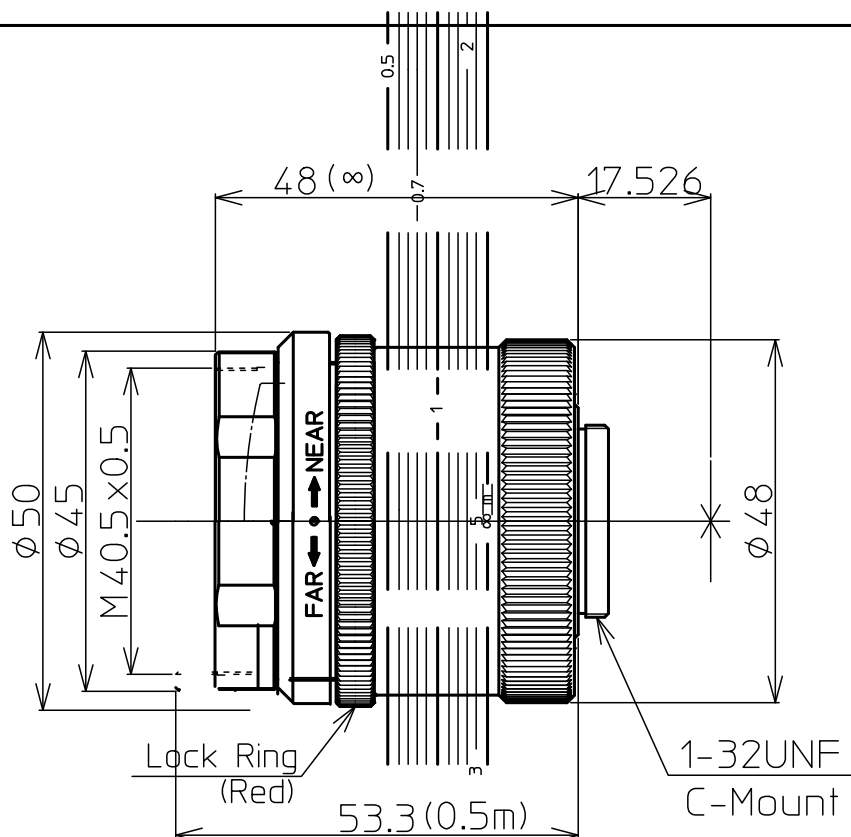
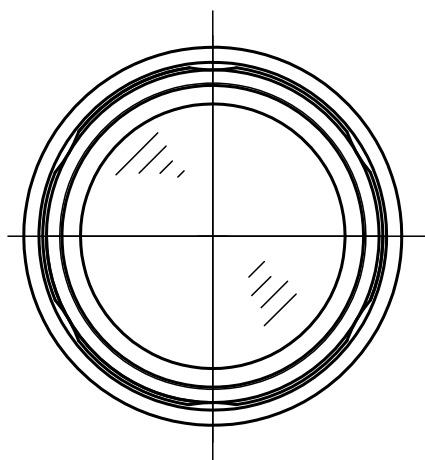


Pyramid Imaging, Inc.
 945 East 11th Avenue
 Tampa, FL 33605
 www.pyramidimaging.com
 sales@pyramidimaging.com
 +1 813 984 0125



1" 1.4/50mm C		1"	2/3"	1/1.8"
FOCAL LENGTH		f=50mm		
F-NUMBER		F=1:1.4,2.8,4,8		
PICTURE SIZE		9.6x12.8mm	6.6x8.8mm	5.4x7.2mm
ANGLE OF VIEW (∞)	VER. ANGLE	10.8°	7.5°	6.2°
	HOR. ANGLE	14.5°	10.0°	8.2°
	DIA. ANGLE	18.0°	12.5°	10.2°
DISTORTION (TV)		0.05%	0.05%	0.02%
FIELD OF VIEW (MINIMUM FOCUS DISTANCE)	VER.	91.3mm	62.9mm	51.4mm
	HOR.	121.8mm	83.8mm	68.6mm
	DIA.	152.9mm	104.8mm	85.7mm
MINIMUM FOCUS DISTANCE		0.5m		
FLANGE BACK		17.526mm in air		
BACK FOCUS		14.8mm in air		
FILTER SCREW SIZE		M40.5x0.5		
FRONT/REAR EFFECTIVE DIA.		FRONT φ35.0mm		REAR φ15.5mm
MOUNT		C-MOUNT		
EXIT PUPIL		-44.4mm		
TEMPERATURE RANGE		-10~+50°C		
STORAGE TEMPERATURE RANGE		-20~+60°C		
RESOLUTION CENTER/CORNER		CENTER 120lp/mm		CORNER 80lp/mm
WEIGHT		170g		

NOTE: Specifications and availability are subject to change without notice
 注) 本仕様については、予告なしに変更する場合があります。



		尺度	1/1	工場番号	HR980SR
		機種名	F1.4/f50mm耐振レンズ		
2016.2.8	最近接時長さ修正 53.3→54.4 重量記載	機種番	LM50HC-V		
2015.9.8	作成年月日				