
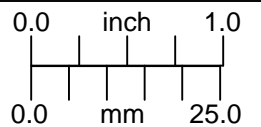


945 East 11th Avenue Tampa, FL 33605

Phone: (813) 984-0125

Contact: Sales@ pyramidimaging.com

<https://pyramidimaging.com>

UNLESS OTHERWISE SPECIFIED DIMENSIONS ARE IN INCHES AND INCLUDE CHEMICALLY APPLIED OR PLATED FINISHES	THE CONTENTS OF THIS DOCUMENT ARE PROPRIETARY TO NAVITAR. ITS USE IS AUTHORIZED ONLY FOR RESPONDING TO REQUEST FOR QUOTATION OR PERFORMANCE OF WORK FOR NAVITAR	 ROCHESTER, NEW YORK		
SCALE: 2:1	WEIGHT:			
DR: BJC	CH: R. PODLENA	6X, SUB, UZ, 2PH, NO LOWER INTERFACE		
PROJECT #: E2325	DATE DR: 4/30/2008			
DO NOT SCALE DRAWING 		SIZE B	1-63843 SHEET 2 OF 2	REV C