

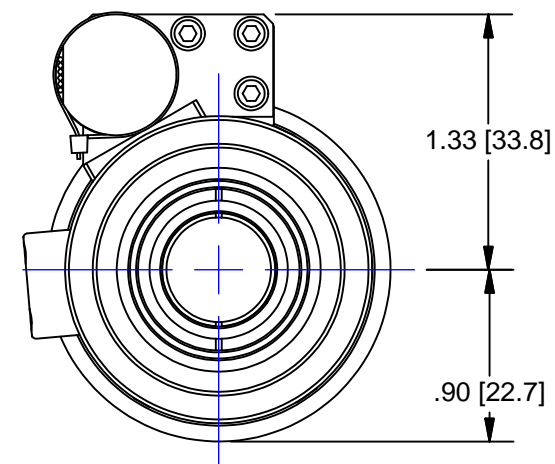
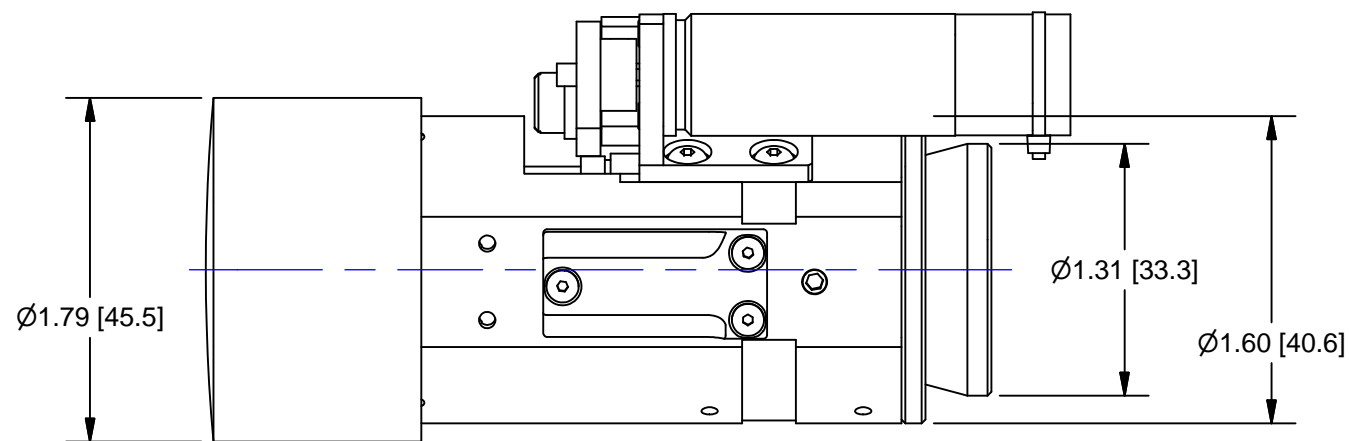
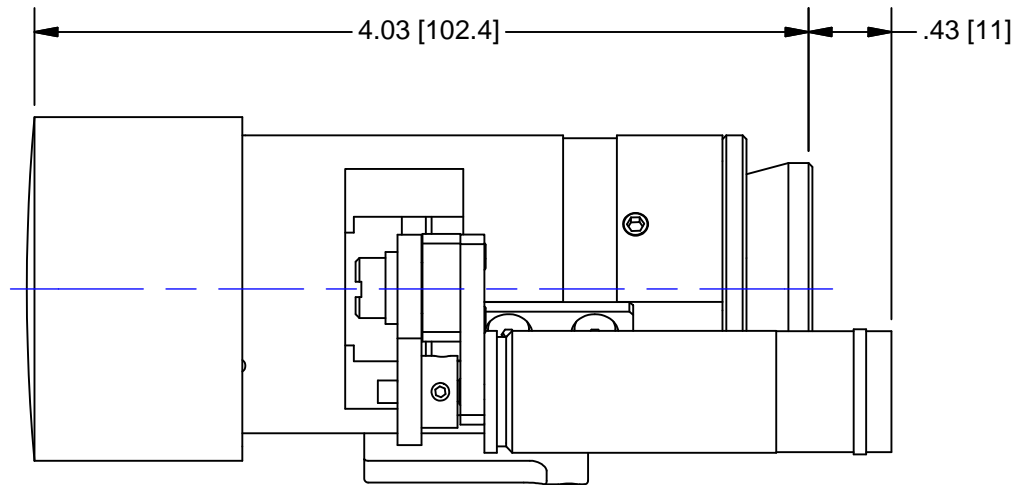


945 East 11<sup>th</sup> Avenue Tampa, FL 33605

Phone: (813) 984-0125

Contact: Sales@ pyramidimaging.com

<https://pyramidimaging.com>



# OUTLINE

UNLESS OTHERWISE SPECIFIED DIMENSIONS ARE IN INCHES AND INCLUDE CHEMICALLY APPLIED OR PLATED FINISHES

SCALE: 2:1

WEIGHT:

DR: BJC

CH: R. PODLENA

PROJECT #: E2325

DATE DR: 4/30/2008

THE CONTENTS OF THIS DOCUMENT ARE PROPRIETARY TO NAVITAR. ITS USE IS AUTHORIZED ONLY FOR RESPONDING TO REQUEST FOR QUOTATION OR PERFORMANCE OF WORK FOR NAVITAR

0.0 inch 1.0

0.0 mm 25.0

DO NOT SCALE DRAWING



6X, SUB, UZ, ENC, NO LOWER INTERFACE

SIZE	1-63845	REV
<b>B</b>	SHEET 2 OF 2	<b>C</b>