

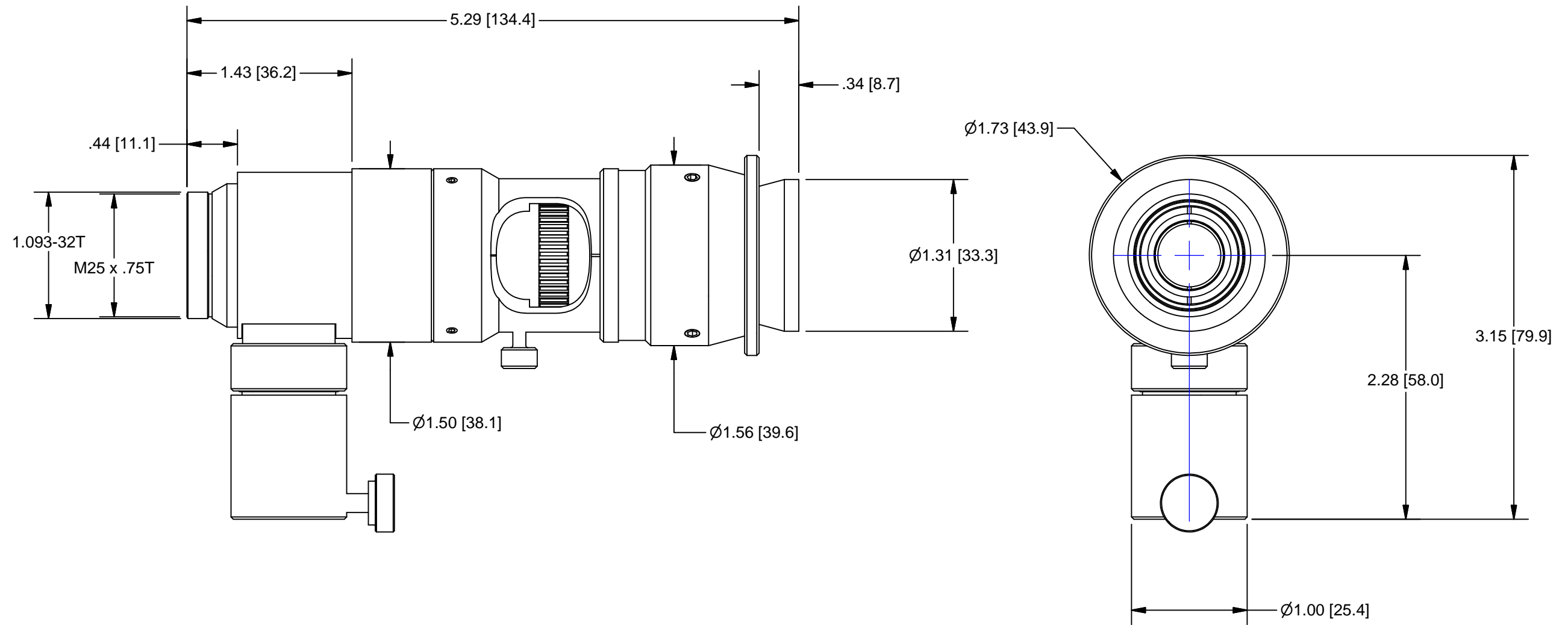


945 East 11th Avenue Tampa, FL 33605

Phone: (813) 984-0125

Contact: Sales@ pyramidimaging.com

https://pyramidimaging.com



NOT SHOWN:
3-60160
3-60187
OBJECTIVE COUPLERS

OUTLINE

UNLESS OTHERWISE SPECIFIED DIMENSIONS ARE IN INCHES AND INCLUDE CHEMICALLY APPLIED OR PLATED FINISHES		THE CONTENTS OF THIS DOCUMENT ARE PROPRIETARY TO NAVITAR, ITS USE IS AUTHORIZED ONLY FOR RESPONDING TO REQUEST FOR QUOTATION OR PERFORMANCE OF WORK FOR NAVITAR		 ROCHESTER, NEW YORK	
SCALE:	1:1			6X ULTRA w/COAX	
WEIGHT:	0.794 LBM	DO NOT SCALE DRAWING		SIZE	1-60350
DR:	DJM			B	
CH:					SHEET 2 OF 2
PROJECT #:					REV
DATE DR:	10/10/2001				B