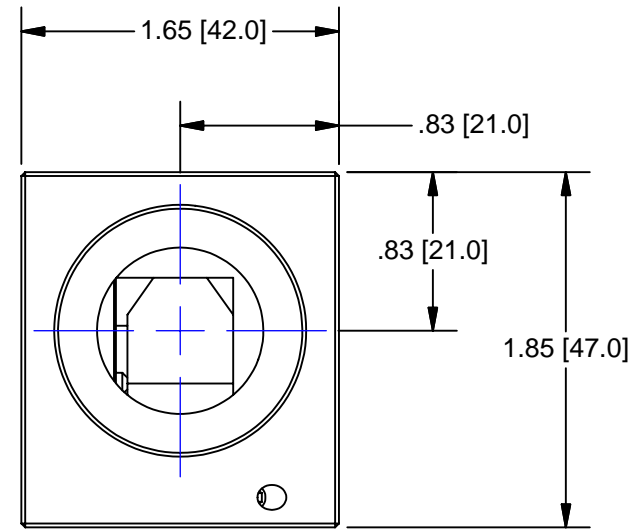


945 East 11<sup>th</sup> Avenue Tampa, FL 33605  
 Phone: (813) 984-0125  
 Contact: Sales@pyramidimaging.com  
<https://pyramidimaging.com>



# OUTLINE

UNLESS OTHERWISE SPECIFIED DIMENSIONS ARE IN INCHES [MM] AND INCLUDE CHEMICALLY APPLIED OR PLATED FINISHES		<b>PROPRIETARY AND CONFIDENTIAL</b>			
SCALE: 1:1		THE INFORMATION CONTAINED IN THIS DRAWING IS THE SOLE PROPERTY OF NAVITAR. ANY REPRODUCTION IN PART OR AS A WHOLE WITHOUT THE WRITTEN PERMISSION OF NAVITAR IS PROHIBITED.			
WEIGHT: N/A				<b>NON-INVERTING RIGHT ANGLE ATTACHMENT w/ROOF PRISM</b>	
DR BY: R. PODLENA					
CH BY:					
PROJECT #:		DO NOT SCALE DRAWING		SIZE <b>A</b>	<b>1-60165</b> SHEET 2 OF 2
DATE DR: 4/16/2002					