



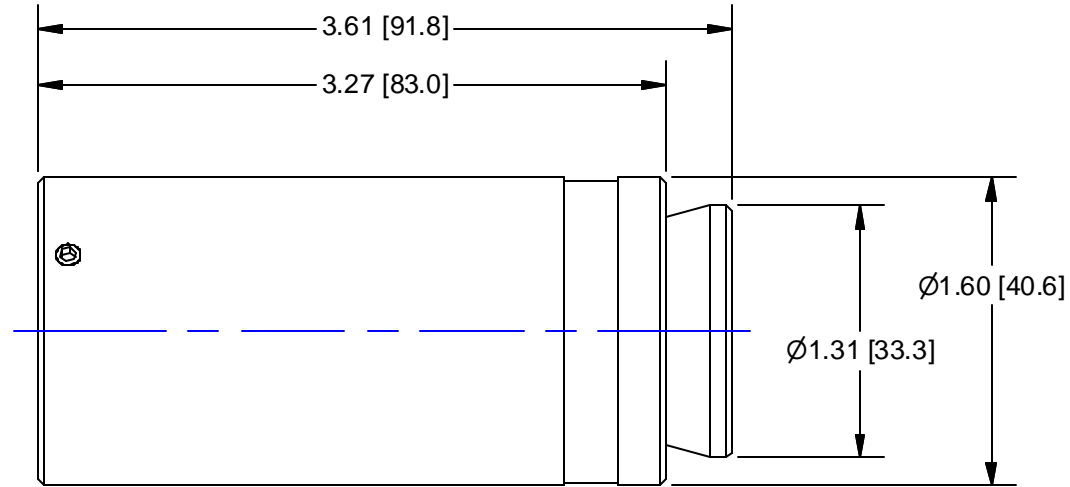
945 East 11th Avenue Tampa, FL 33605

Phone: (813) 984-0125

Contact: Sales@ pyramidimaging.com

<https://pyramidimaging.com>

REV	CHANGE RECORD AND DATE	CH
-----	------------------------	----



OUTLINE

USED ON:

MATERIAL:

FINISH:

CHAMFER ALL THREADS 30° TO ROOT DIAMETER

UNLESS OTHERWISE SPECIFIED DIMENSIONS ARE IN INCHES AND INCLUDE CHEMICALLY APPLIED OR PLATED FINISHES

TOLERANCES AS FOLLOWS

DEC. .XXX ± .005
 DEC. .XX ± .010
 FRACT. ± 1/64
 ANGLES ± 30'
 CONCENTRICITY .003 TIR

BREAK ALL SHARP EDGES .005 MIN. .010 MAX.

MAX. SURF. ROUGHNESS: 32

P/N SUFFIX DEFINITION

- 1 CONVERSION COATING
- 2 PAINTING
- 3 MARKING
- R REWORK

SCALE: 1:1

DR: R. PODLENA

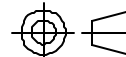
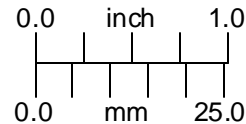
CH:

APP:

DATE DR: 4/25/2003

DO NOT SCALE DRAWING

THE CONTENTS OF THIS DOCUMENT ARE PROPRIETARY TO NAVITAR, ITS USE IS AUTHORIZED ONLY FOR RESPONDING TO REQUEST FOR QUOTATION OR PERFORMANCE OF WORK FOR NAVITAR



1X NIRA

SIZE	1-60175_OL	REV
A	SHEET 1 OF 1	