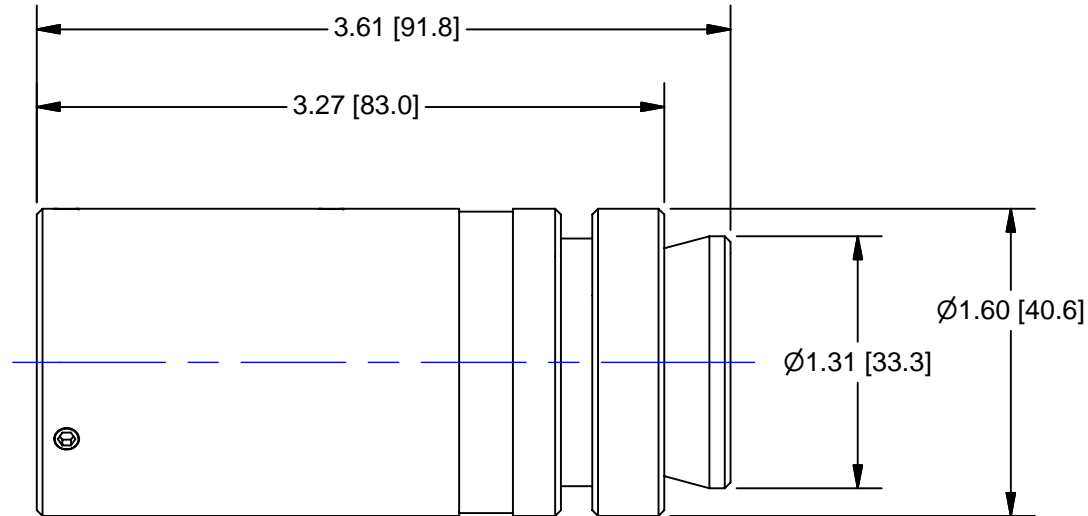




Pyramid Imaging

945 East 11th Avenue Tampa, FL 33605
 sales@pyramidimaging.com
 www.pyramidimaging.com
 813-786-3785



OUTLINE

UNLESS OTHERWISE SPECIFIED DIMENSIONS ARE IN INCHES [MM] AND INCLUDE CHEMICALLY APPLIED OR PLATED FINISHES	PROPRIETARY AND CONFIDENTIAL THE INFORMATION CONTAINED IN THIS DRAWING IS THE SOLE PROPERTY OF NAVITAR. ANY REPRODUCTION IN PART OR AS A WHOLE WITHOUT THE WRITTEN PERMISSION OF NAVITAR IS PROHIBITED.			
SCALE: 1:1				
WEIGHT: N/A		1X ADJUSTABLE FOR NON-INVERTING RIGHT-ANGLE w/PRISM		
DR BY: R. PODLENA				
CH BY:				
PROJECT #:	DO NOT SCALE DRAWING	SIZE	1-60182	REV B
DATE DR: 6/17/2003		A		