

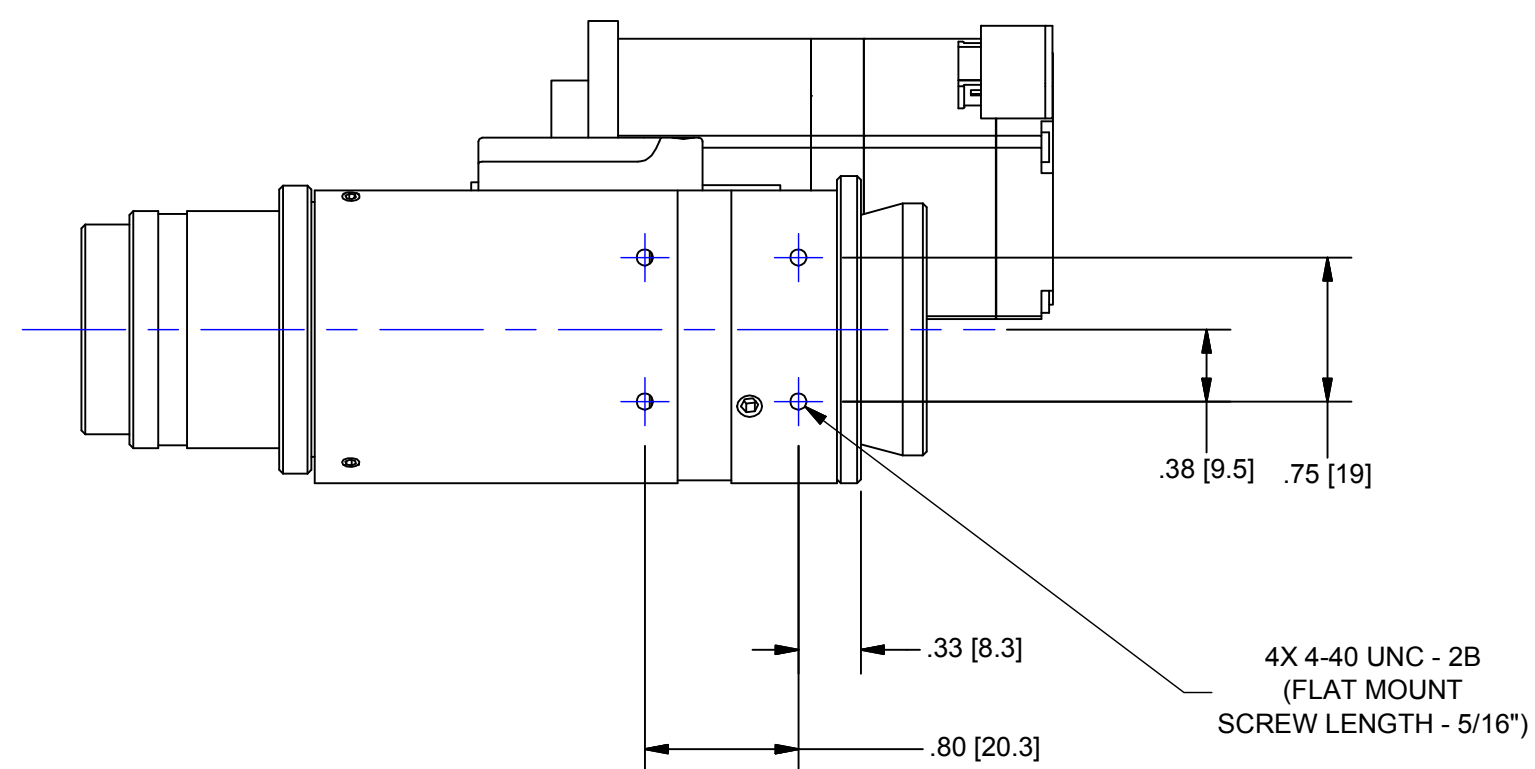
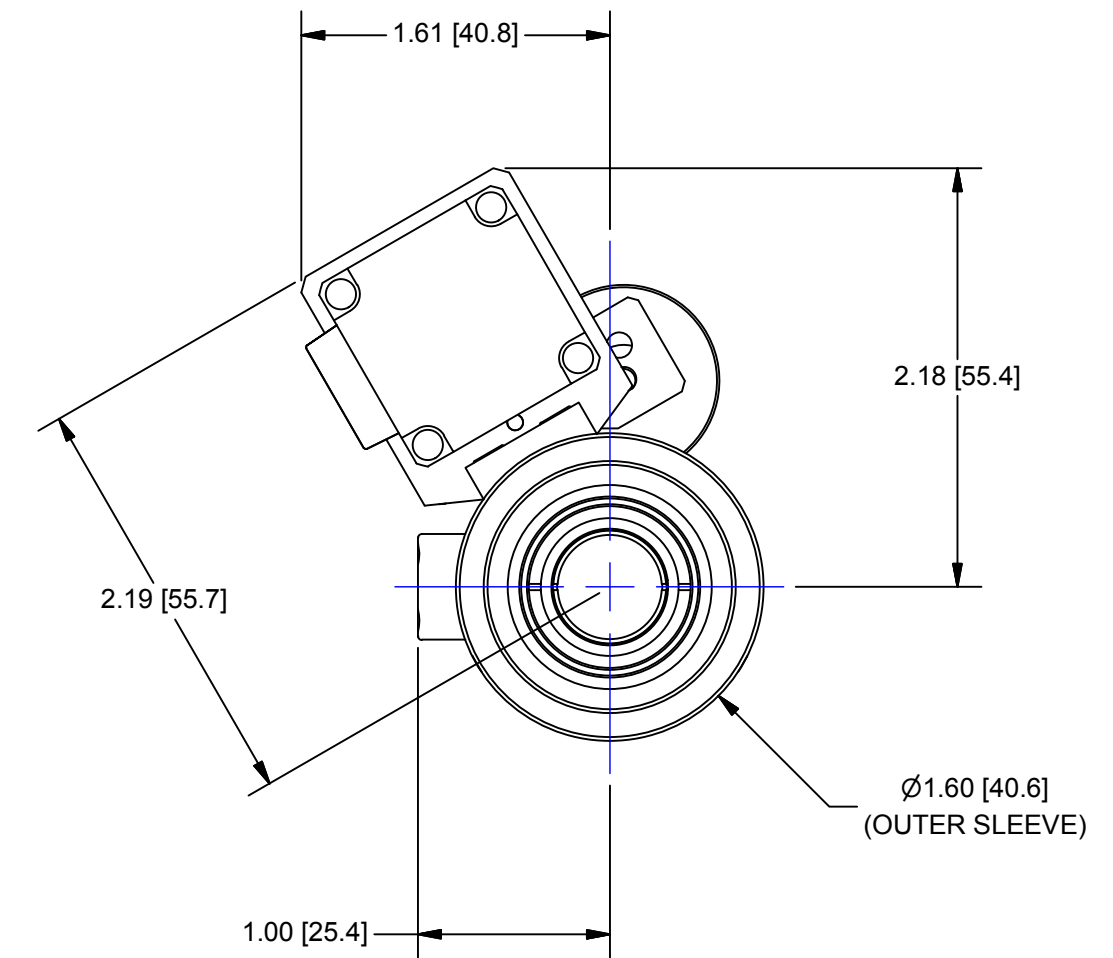
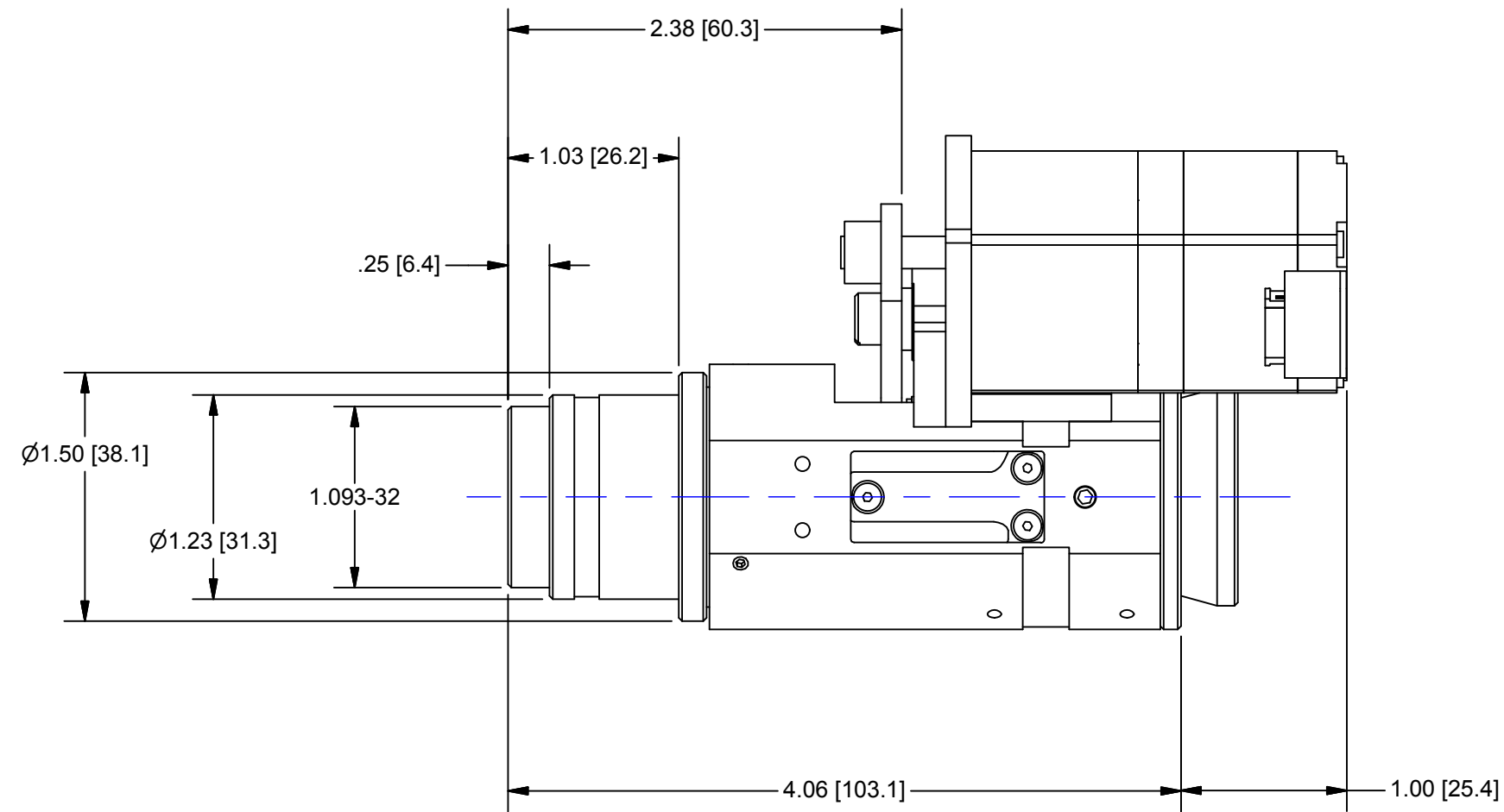


945 East 11th Avenue Tampa, FL 33605

Phone: (813) 984-0125

Contact: Sales@pyramidimaging.com

https://pyramidimaging.com

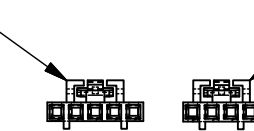


5φ MOTOR AND HALL EFFECT CABLE INFORMATION:

- ZOOM / FOCUS / HE CABLE LENGTH = 0.15m
- USE NAVITAR #1-40170 TO CONNECT TO 5φ NAVITAR CONTROLLERS (1-40167, 1-40168, 1-40169)

ZOOM / FINE FOCUS MOTOR
5 POSITION FEMALE
CONNECTOR
(MOLEX #50-57-9405)

HALL EFFECT SENSOR
4 POSITION FEMALE
CONNECTOR
(MOLEX #50-57-9404)



5φ ZOOM / FINE FOCUS MOTOR PINOUT

- PIN 1 = MOTOR 1 (BLUE)
- PIN 2 = MOTOR 2 (RED)
- PIN 3 = MOTOR 3 (ORANGE)
- PIN 4 = MOTOR 4 (GREEN)
- PIN 5 = MOTOR 5 (BLACK)

4 PIN HE SENSOR PINOUT

- PIN 1 = COMMON
- PIN 2 = FAR LIMIT
- PIN 3 = +5VDC
- PIN 4 = NEAR LIMIT

OUTLINE

UNLESS OTHERWISE SPECIFIED DIMENSIONS ARE IN INCHES AND INCLUDE CHEMICALLY APPLIED OR PLATED FINISHES		PROPRIETARY AND CONFIDENTIAL THE INFORMATION CONTAINED IN THIS DRAWING IS THE SOLE PROPERTY OF NAVITAR. ANY REPRODUCTION IN PART OR AS A WHOLE WITHOUT THE WRITTEN PERMISSION OF NAVITAR IS PROHIBITED.	
SCALE:	1:1		
WEIGHT:	0.83 lbmass		
DR BY:	BONAFEDE		
CH BY:	R. PODLENA		
PROJECT #:	E3192		
DATE DR:	3/20/2014	MTR 6X ZM, 5φ 20:1, HE, NON FF, NON CP	
DO NOT SCALE DRAWING	SIZE C	1-64434	REV A
		SHEET 2 OF 2	