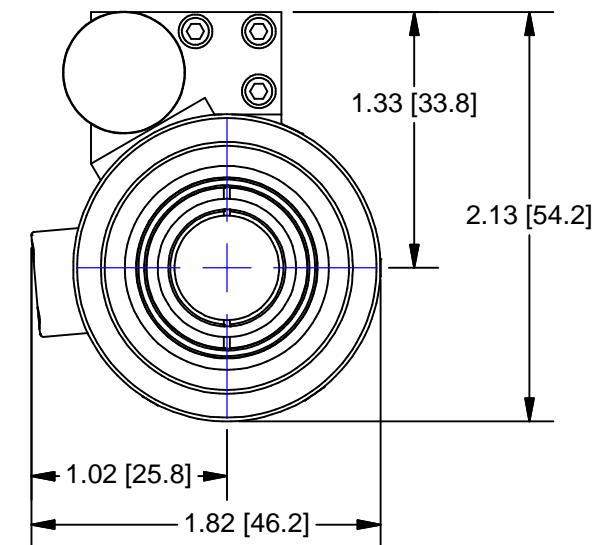
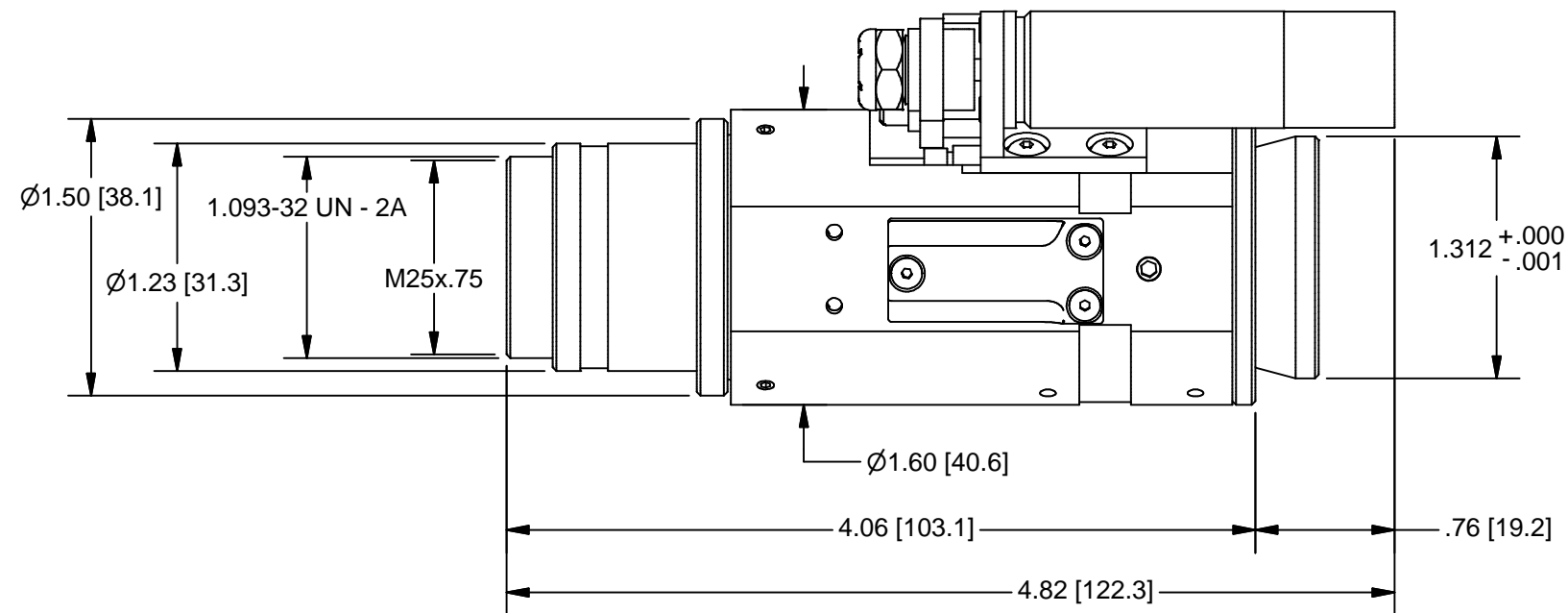
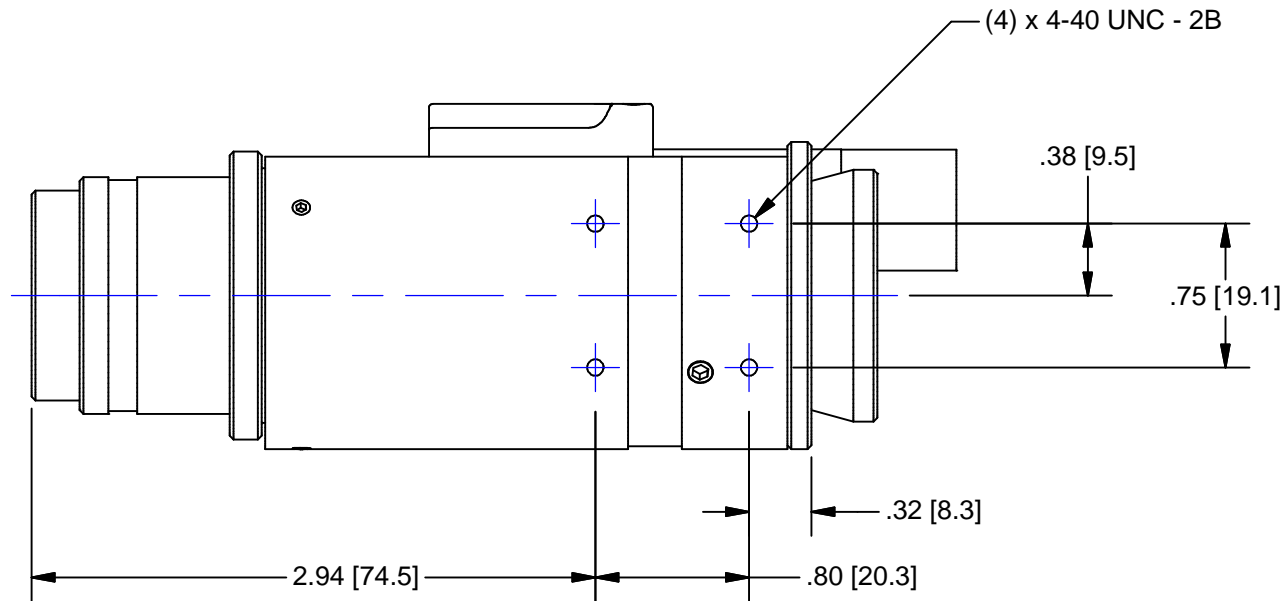


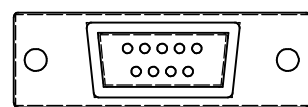
Pyramid Imaging

945 East 11th Avenue Tampa, FL 33605
 sales@pyramidimaging.com
 www.pyramidimaging.com
 813-786-3785



DC ENCODED PINOUT

- PIN 1 = MOTOR CH A
- PIN 2 = FAR LIMIT
- PIN 3 = N/C
- PIN 4 = +5Vdc
- PIN 5 = MOTOR +
- PIN 6 = MOTOR CH B
- PIN 7 = NEAR LIMIT
- PIN 8 = COMMON
- PIN 9 = MOTOR -



9 PIN MALE D-SUB

USED ON:

MATERIAL:

FINISH:

CHAMFER ALL THREADS
30° TO ROOT DIAM.

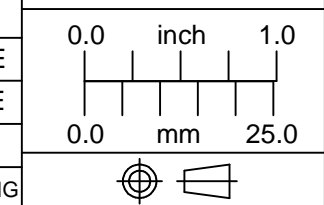
UNLESS OTHERWISE SPECIFIED DIMENSIONS ARE IN INCHES AND INCLUDE CHEMICALLY APPLIED OR PLATED FINISHES

TOLERANCES:
 DEC. .XXX ± .005
 DEC. .XX ± .010
 FRACT. ± 1/64
 ANGLES ± 30'
 CONCENTRICITY .003 TIR
 BREAK ALL SHARP EDGES
 .005 MIN. .010 MAX
 MAX. SURF. ROUGHNESS 32 √

P/N SUFFIX DEFINITION
 -1 CONVERSION COATING
 -2 PAINTING
 -3 MARKING
 -R REWORK

SCALE: 1:1
 DR.: R. PODLENA
 CH.: P. BONAFEDE
 APP.: P. BONAFEDE
 DATE DR.: 8/18/2003
 DO NOT SCALE DRAWING

THE CONTENTS OF THIS DOCUMENT ARE PROPRIETARY TO NAVITAR, ITS USE IS AUTHORIZED ONLY FOR RESPONDING TO REQUEST FOR QUOTATION OR PERFORMANCE OF WORK FOR NAVITAR



OUTLINE



MOTORIZED (ENCODED) 6x w/2 POS LS (HE)

SIZE	1-62606	REV
B	SHEET 1 OF 1	A