

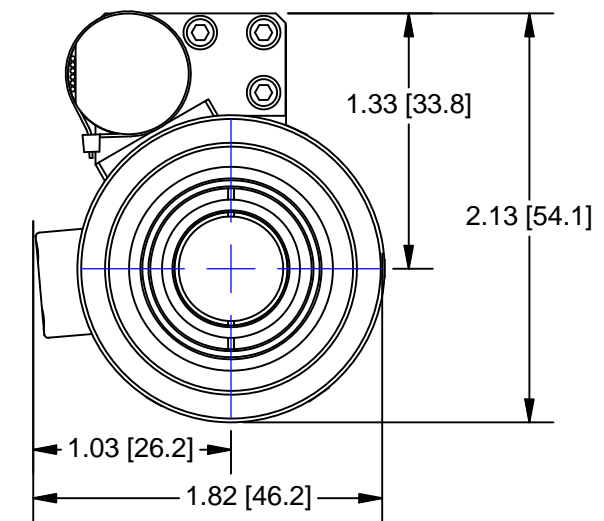
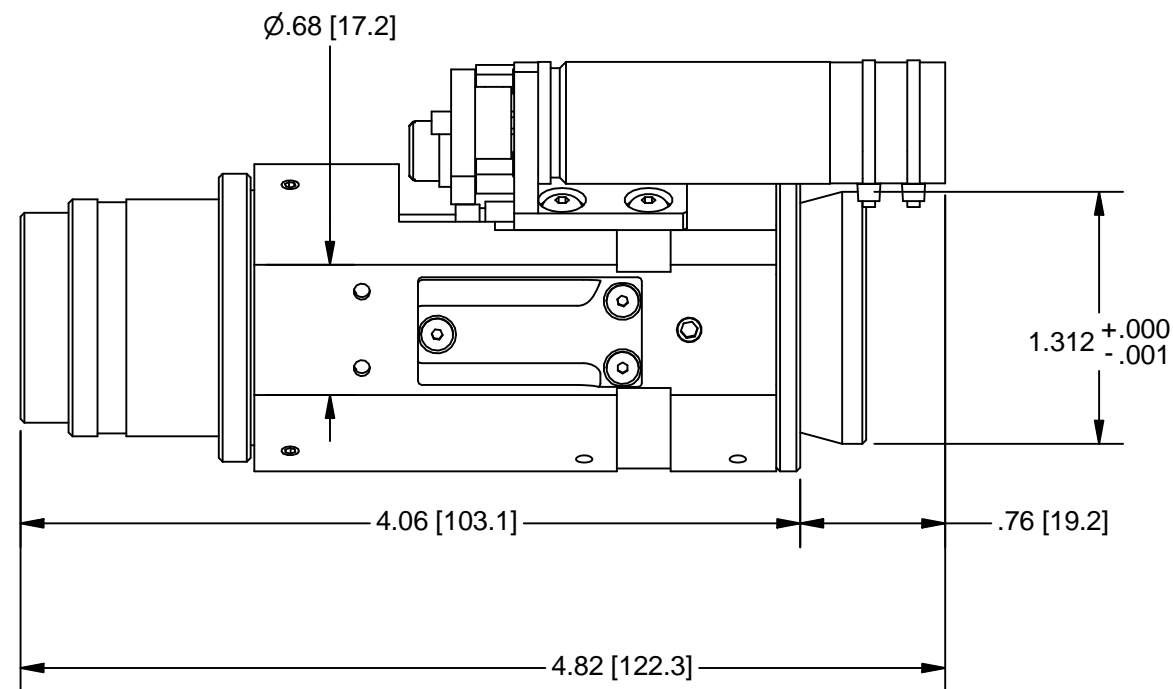
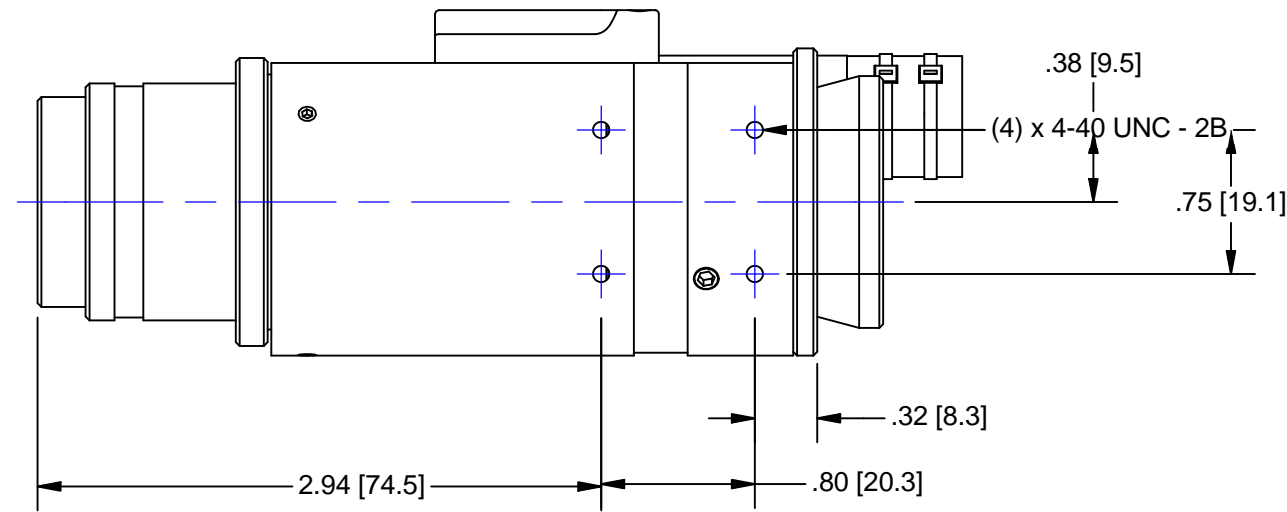
**Pyramid Imaging**

945 East 11th Avenue Tampa, FL 33605

sales@pyramidimaging.com

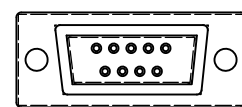
www.pyramidimaging.com

813-786-3785



**DC ENCODED PINOUT**

- PIN 1 = MOTOR CH B
- PIN 2 = FAR LIMIT
- PIN 3 = N/C
- PIN 4 = +5Vdc
- PIN 5 = MOTOR -
- PIN 6 = MOTOR CH A
- PIN 7 = NEAR LIMIT
- PIN 8 = COMMON
- PIN 9 = MOTOR +



9 PIN MALE D-SUB

**OUTLINE**

**USED ON:**

**MATERIAL:**

**FINISH:**

CHAMFER ALL THREADS  
30° TO ROOT DIAM.

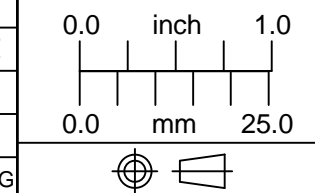
UNLESS OTHERWISE SPECIFIED  
DIMENSIONS ARE IN INCHES  
AND INCLUDE CHEMICALLY  
APPLIED OR PLATED FINISHES

TOLERANCES:  
DEC. .XXX ± .005  
DEC. .XX ± .010  
FRACT. ± 1/64  
ANGLES ± 30°  
CONCENTRICITY .003 TIR  
BREAK ALL SHARP EDGES  
.005 MIN. .010 MAX  
MAX. SURF. ROUGHNESS  $\sqrt{32}$

**P/N SUFFIX DEFINITION**  
-1 CONVERSION COATING  
-2 PAINTING  
-3 MARKING  
-R REWORK

SCALE: 1:1  
DR.: R. PODLENA  
CH.: P. BONAFEDE  
APP.: P. BONAFEDE  
DATE DR.: 9/9/2003  
DO NOT SCALE DRAWING

THE CONTENTS OF THIS  
DOCUMENT ARE PROPRIETARY  
TO NAVITAR, ITS USE IS  
AUTHORIZED ONLY FOR  
RESPONDING TO REQUEST  
FOR QUOTATION OR  
PERFORMANCE OF WORK FOR  
NAVITAR



ROCHESTER, NEW YORK

MTR (ENC) 6x UZ w/LS (HE)

SIZE

**B**

**1-62631**

SHEET 2 OF 2

REV

**A**