
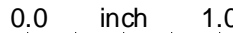
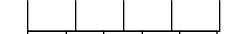
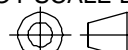


Pyramid Imaging

945 East 11th Avenue Tampa, FL 33605
 sales@pyramidimaging.com
 www.pyramidimaging.com
 813-786-3785

OUTLINE

UNLESS OTHERWISE SPECIFIED DIMENSIONS ARE IN INCHES AND INCLUDE CHEMICALLY APPLIED OR PLATED FINISHES		THE CONTENTS OF THIS DOCUMENT ARE PROPRIETARY TO NAVITAR, ITS USE IS AUTHORIZED ONLY FOR RESPONDING TO REQUEST FOR QUOTATION OR PERFORMANCE OF WORK FOR NAVITAR		 ROCHESTER, NEW YORK		
SCALE:	1:1	0.0 inch 1.0  0.0 mm 25.0 		ADAPTER, 2X		
WEIGHT:	.46LBM					
DR:	R. PODLENA	DO NOT SCALE DRAWING		SIZE	1-6030	
CH:				A		REV
PROJECT #:						SHEET 2 OF 2
DATE DR:	10/3/2002					