



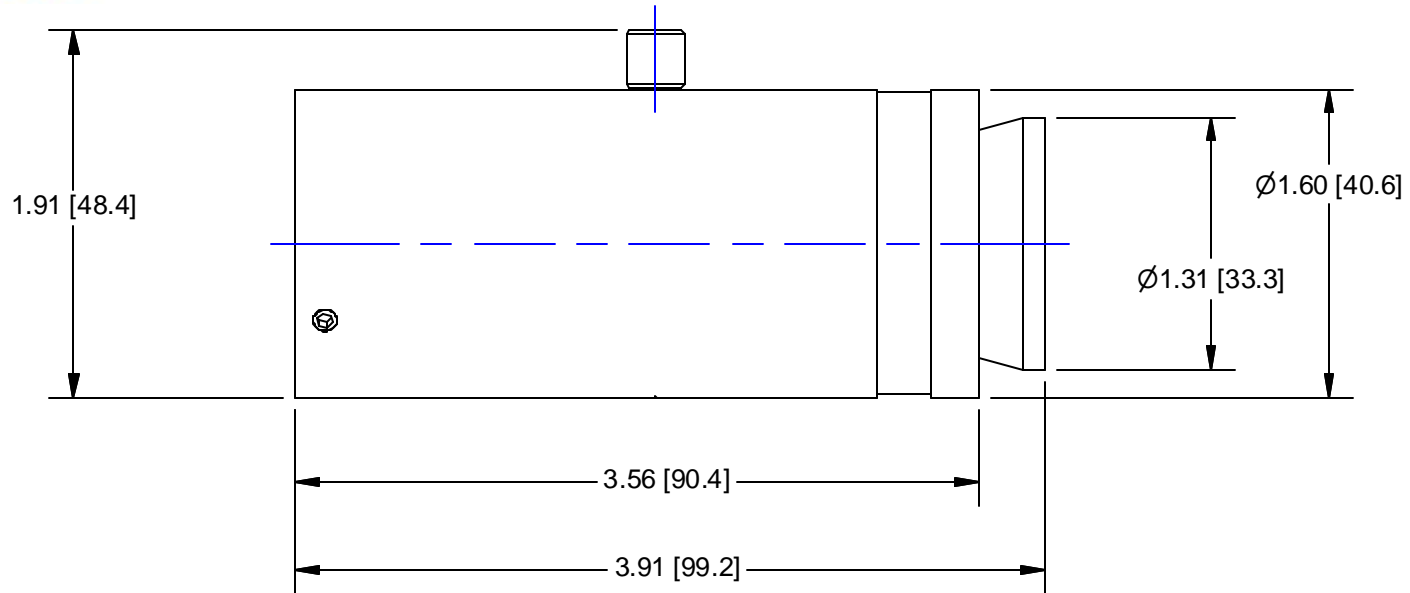
945 East 11th Avenue Tampa, FL 33605

Phone: (813) 984-0125

Contact: Sales@pyramidimaging.com

<https://pyramidimaging.com>

REV	CHANGE RECORD AND DATE	CH
-----	------------------------	----



OUTLINE

USED ON:

MATERIAL:

FINISH:

CHAMFER ALL THREADS 30° TO ROOT DIAMETER

UNLESS OTHERWISE SPECIFIED DIMENSIONS ARE IN INCHES AND INCLUDE CHEMICALLY APPLIED OR PLATED FINISHES

TOLERANCES AS FOLLOWS
 DEC. .XXX ± .005
 DEC. .XX ± .010
 FRACT. ± 1/64
 ANGLES ± 30'
 CONCENTRICITY .003 TIR

BREAK ALL SHARP EDGES .005 MIN. .010 MAX.
 MAX. SURF. ROUGHNESS: 32

P/N SUFFIX DEFINITION

- 1 CONVERSION COATING
- 2 PAINTING
- 3 MARKING
- R REWORK

SCALE: 1:1

DR: BE

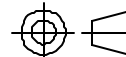
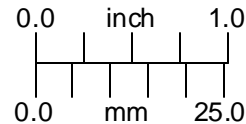
CH:

APP:

DATE DR: 7/8/2002

DO NOT SCALE DRAWING

THE CONTENTS OF THIS DOCUMENT ARE PROPRIETARY TO NAVITAR, ITS USE IS AUTHORIZED ONLY FOR RESPONDING TO REQUEST FOR QUOTATION OR PERFORMANCE OF WORK FOR NAVITAR



2x ADAPTER MOD III ASSEMBLY

SIZE	1-6233_OL	REV
A	SHEET 1 OF 1	D