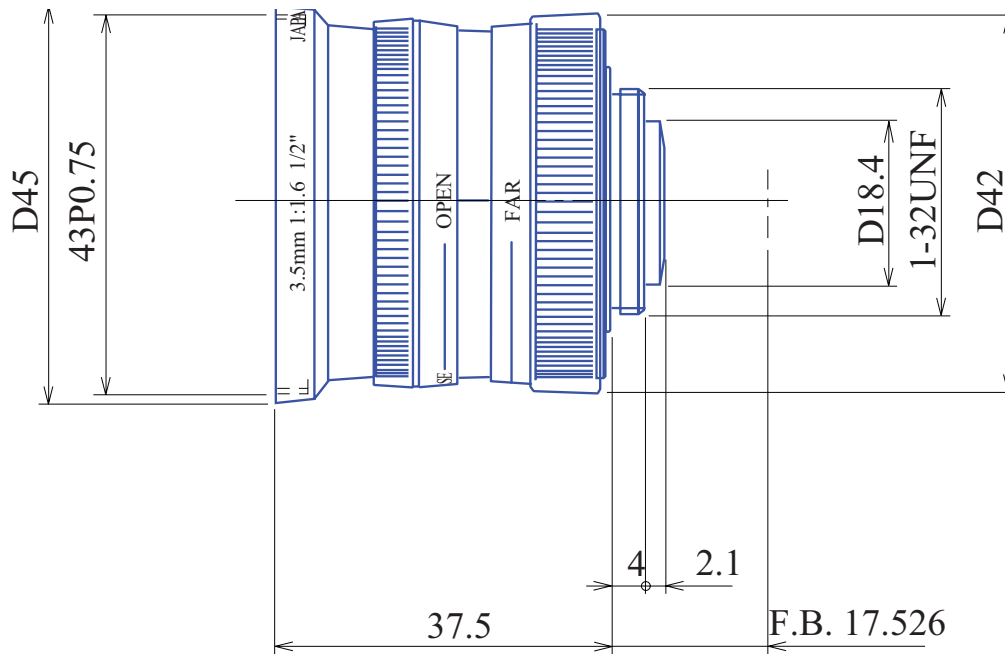


CCTV 1/2" Fixed-Focal GMT23516C



Part No.	GMT23516C
Focal Length	3.5mm
Iris Range	f/1.6
Lens Format	1/2"
MOD	100mm
Mount	C
Filter Thread	M43xP0.75
Angle of View (HxV) 1/2"	84.9° x 68.9°
Weight	65g
Dimension (DxL)	Ø45 x 38



945 East 11th Avenue Tampa, FL 33605

Phone: (813) 984-0125

Contact: Sales@pyramidimaging.com

<https://pyramidimaging.com>