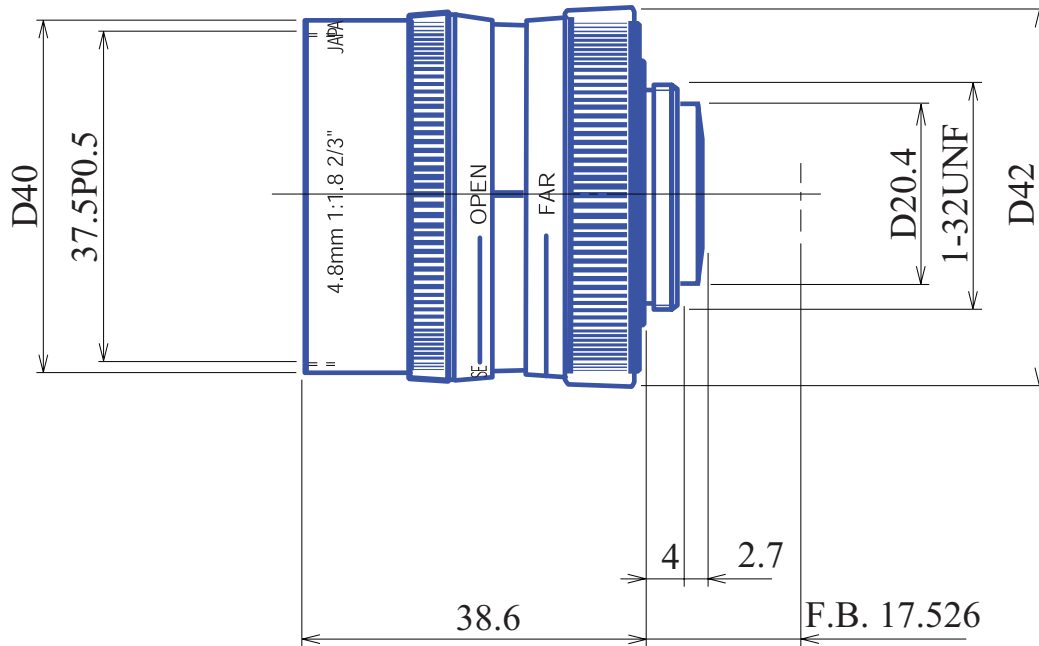


CCTV 2/3" Fixed-Focal
GM34818C



Part No.	GM34818C
Focal Length	4.8mm
Iris Range	f/1.8
Lens Format	2/3"
MOD	200mm
Mount	C
Filter Thread	M37.5 x P0.5
Angle of View (HxV) 2/3"	85° x 69°
Weight	75g
Dimension (DxL)	Ø42 x 39



945 East 11th Avenue Tampa, FL 33605

Phone: (813) 984-0125

Contact: Sales@pyramidimaging.com

<https://pyramidimaging.com>