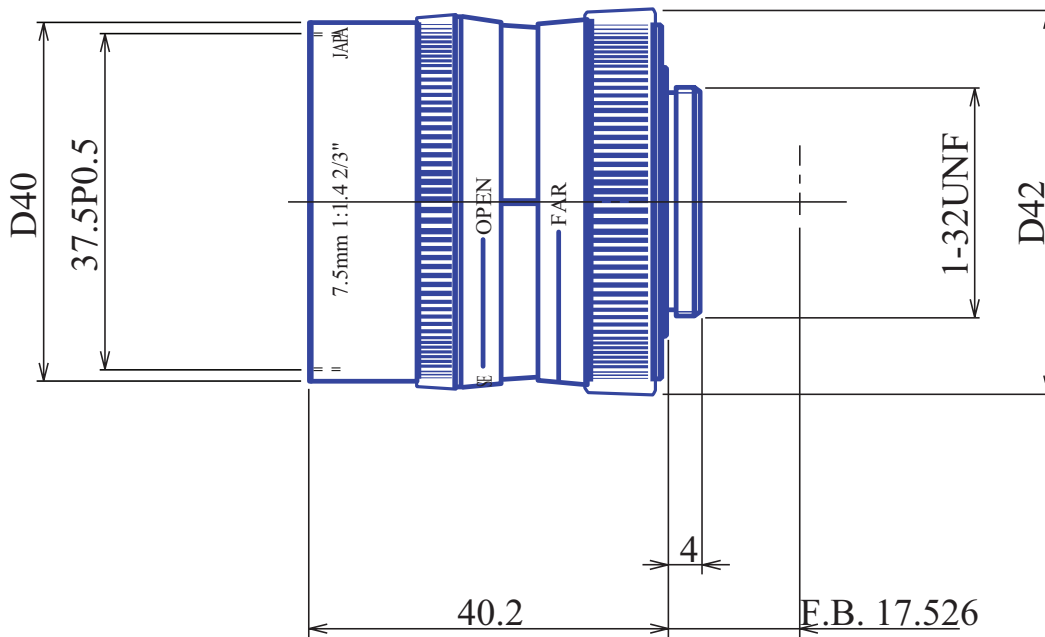


CCTV 2/3" Fixed-Focal
GM37514C



Part No.	GM37514C
Focal Length	7.5mm
Iris Range	f/1.4
Lens Format	2/3"
MOD	200mm
Mount	C
Filter Thread	M37.5xP0.5
Angle of View (HxV) 2/3"	60.8° x 47.5°
Weight	70g
Dimension (DxL)	Ø42 x 41



945 East 11th Avenue Tampa, FL 33605

Phone: (813) 984-0125

Contact: Sales@pyramidimaging.com

<https://pyramidimaging.com>