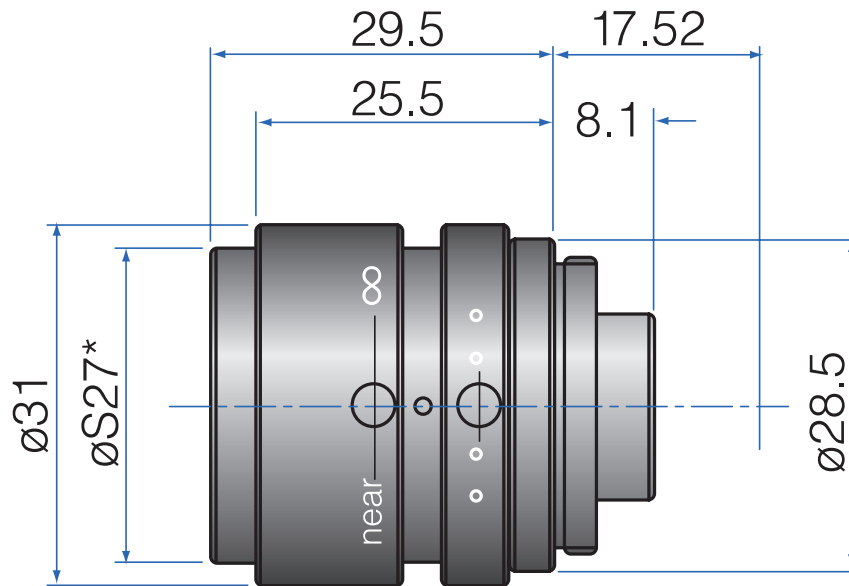


High Resolution 1/2" Fixed-Focal  
**GM24514MCN**



\* S = Slip-on Mount

Part No.	GM24514MCN
Focal Length	4.5mm
Iris Range	f/1.4-Close
Lens Format	1/2"
Resolution	100 lp/mm
MOD	200mm
Mount	C
Filter Thread	S31 or M25.4
Angle of View (HxVxD) 1/2"	79.00° x 59.40° x 98.20°
Weight	71g
Dimension (DxL)	$\varnothing 31$ x 29.5



945 East 11<sup>th</sup> Avenue Tampa, FL 33605

Phone: (813) 984-0125

Contact: Sales@pyramidimaging.com

<https://pyramidimaging.com>