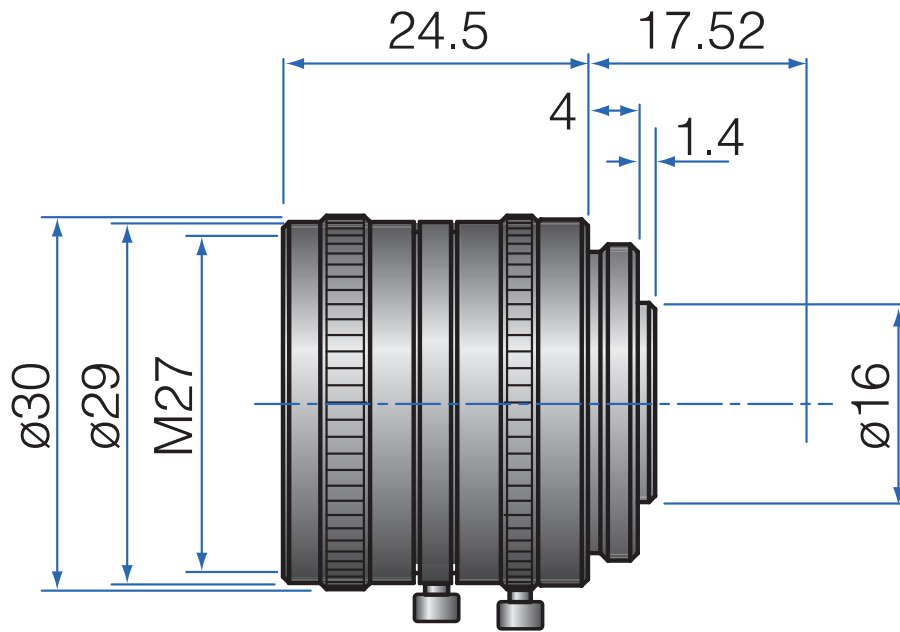


High Resolution 2/3" Fixed-Focal GM31614MCN



Part No.	GM31614MCN
Focal Length	16mm
Iris Range	f/1.4-Close
Lens Format	2/3"
Resolution	100 lp/mm
MOD	400mm
Mount	C
Filter Thread	M27xP0.5
Angle of View (HxVxD) 1/2"	22.2° x 16.5° x 27.58°
Angle of View (HxVxD) 2/3"	30.22° x 23.0° x 38.6°
Weight	40g
Dimension (DxL)	Ø30 x 24.5



945 East 11th Avenue Tampa, FL 33605

Phone: (813) 984-0125

Contact: Sales@pyramidimaging.com

<https://pyramidimaging.com>