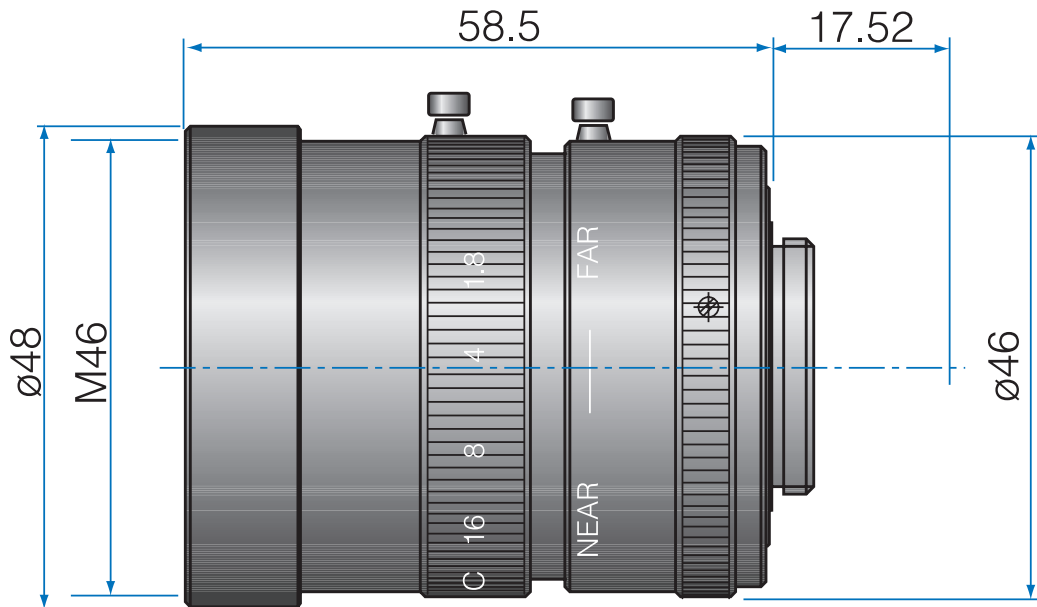


High Resolution 1" Fixed-Focal

# GMG47518MCN



Part No.	GMG47518MCN
Focal Length	75mm
Iris Range	f/1.8-Close
Lens Format	1"
Resolution	100 lp/mm
MOD	800mm
Mount	C
Filter Thread	M46xP.75
Angle of View (HxVxD) 1"	9.7° x 7.3° x 12.3°
Weight	250g
Dimension (DxL)	Ø48 x 58.5



945 East 11<sup>th</sup> Avenue Tampa, FL 33605

Phone: (813) 984-0125

Contact: Sales@pyramidimaging.com

<https://pyramidimaging.com>