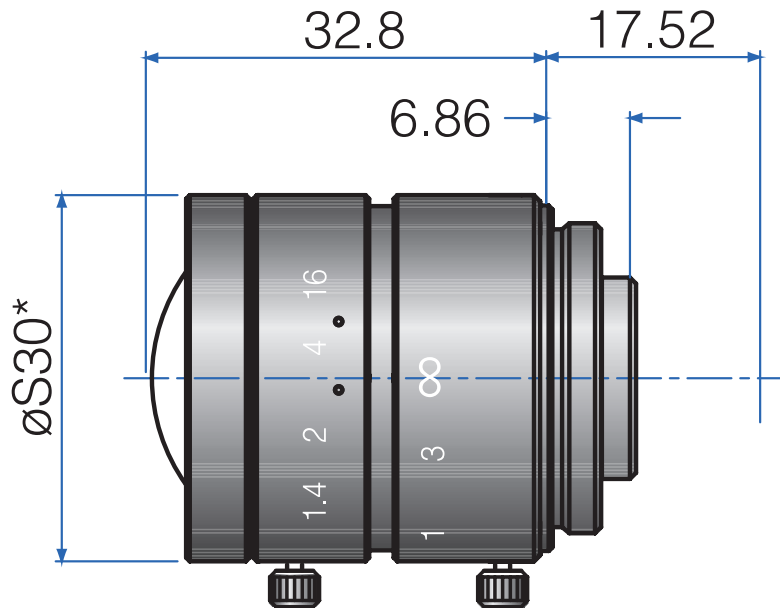


High Resolution 2/3" Fixed-Focal
GMN36014MCN-1



Part No.	GMN36014MCN-1
Focal Length	6mm
Iris Range	f/1.4-16
Lens Format	2/3"
Resolution	100 lp/mm
MOD	100mm
Mount	C
Filter Thread	S30 or M25.4
Angle of View (HxVxD) 1/2"	59.4° x 44.5° x 74.3°
Angle of View (HxVxD) 2/3"	81.9° x 61.2° x 102.9°
Weight	65g
Dimension (DxL)	$\varnothing 30 \times 33.0$



945 East 11th Avenue Tampa, FL 33605

Phone: (813) 984-0125

Contact: Sales@ pyramidimaging.com

<https://pyramidimaging.com>