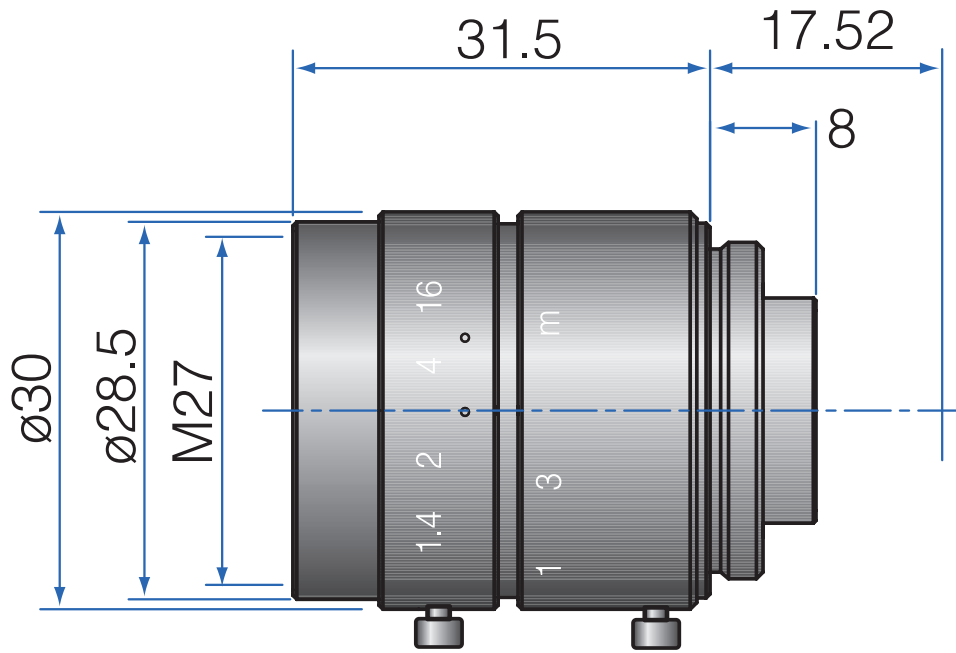


High Resolution 2/3" Fixed-Focal

## GMN31214MCN-1



| Part No.                   | GMN31214MCN-1         |
|----------------------------|-----------------------|
| Focal Length               | 12mm                  |
| Iris Range                 | f/1.4-16              |
| Lens Format                | 2/3"                  |
| Resolution                 | 100 lp/mm             |
| MOD                        | 100mm                 |
| Mount                      | C                     |
| Filter Thread              | M27 x P0.5            |
| Angle of View (HxVxD) 1/2" | 30.7° x 23.0° x 38.5° |
| Angle of View (HxVxD) 2/3" | 42.5° x 31.7° x 53.7° |
| Weight                     | 55g                   |
| Dimension (DxL)            | Ø30 x 31.5            |



945 East 11<sup>th</sup> Avenue Tampa, FL 33605

Phone: (813) 984-0125

Contact: Sales@ pyramidimaging.com

<https://pyramidimaging.com>