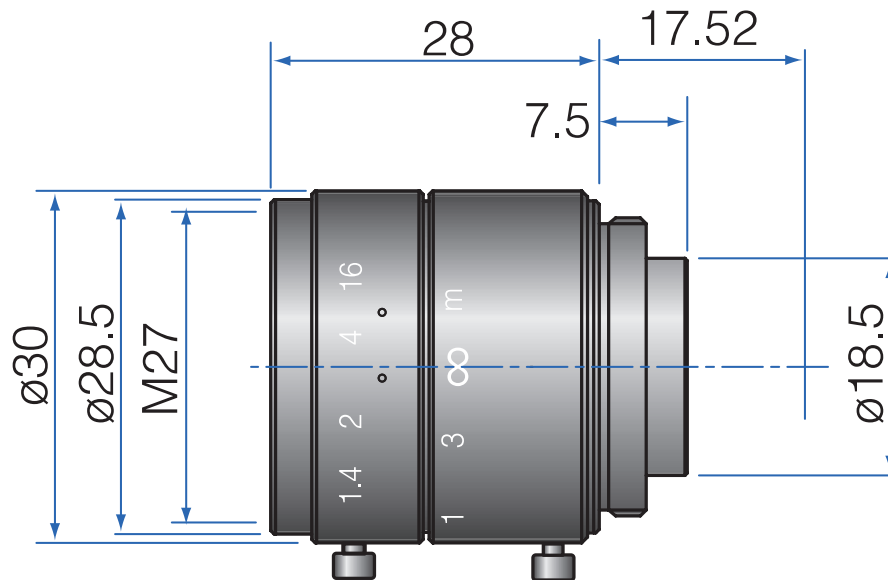


High Resolution 2/3" Fixed-Focal

GMN31614MCN-1



Part No.	GMN31614MCN-1
Focal Length	16mm
Iris Range	f/1.4-16
Lens Format	2/3"
Resolution	100 lp/mm
MOD	200mm
Mount	C
Filter Thread	M27xP0.5
Angle of View (HxVxD) 1/2"	22.2° x 16.5° x 27.5°
Angle of View (HxVxD) 2/3"	30.5° x 22.8° x 38.3°
Weight	40g
Dimension (DxL)	Ø30 x 28