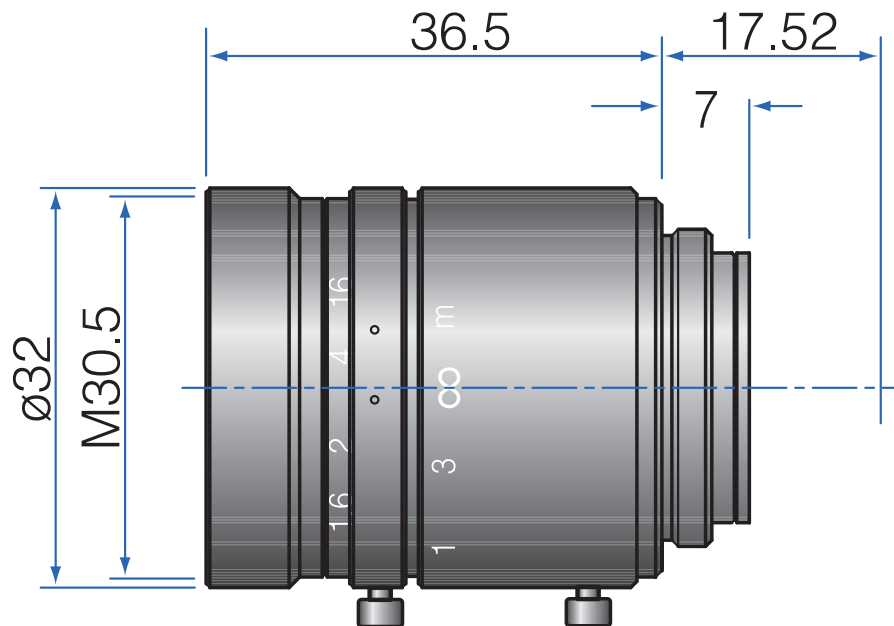


High Resolution 2/3" Fixed-Focal

## GMN33516MCN-1



| Part No.                   | GMN33516MCN-1         |
|----------------------------|-----------------------|
| Focal Length               | 35mm                  |
| Iris Range                 | f/1.6-16              |
| Lens Format                | 2/3"                  |
| Resolution                 | 100 lp/mm             |
| MOD                        | 350mm                 |
| Mount                      | C                     |
| Filter Thread              | M30.5xP0.5            |
| Angle of View (HxVxD) 1/2" | 10.5° x 7.9° x 13.1°  |
| Angle of View (HxVxD) 2/3" | 14.4° x 10.8° x 17.9° |
| Weight                     | 75g                   |
| Dimension (DxL)            | Ø32 x 36.5            |