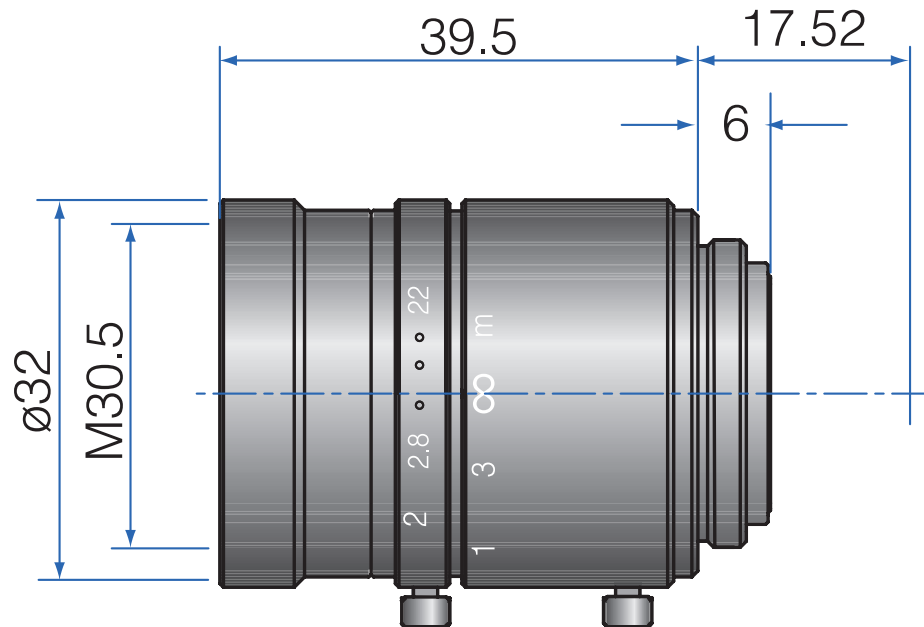


High Resolution 2/3" Fixed-Focal

GMN35020MCN-1



Part No.	GMN35020MCN-1
Focal Length	50mm
Iris Range	f/2.0-16
Lens Format	2/3"
Resolution	100 lp/mm
MOD	500mm
Mount	C
Filter Thread	M30.5xP0.5
Angle of View (HxVxD) 1/2"	7.3° x 5.5° x 9.2°
Angle of View (HxVxD) 2/3"	10.1° x 7.5° x 12.5°
Weight	75g
Dimension (DxL)	$\varnothing 32$ x 40.0