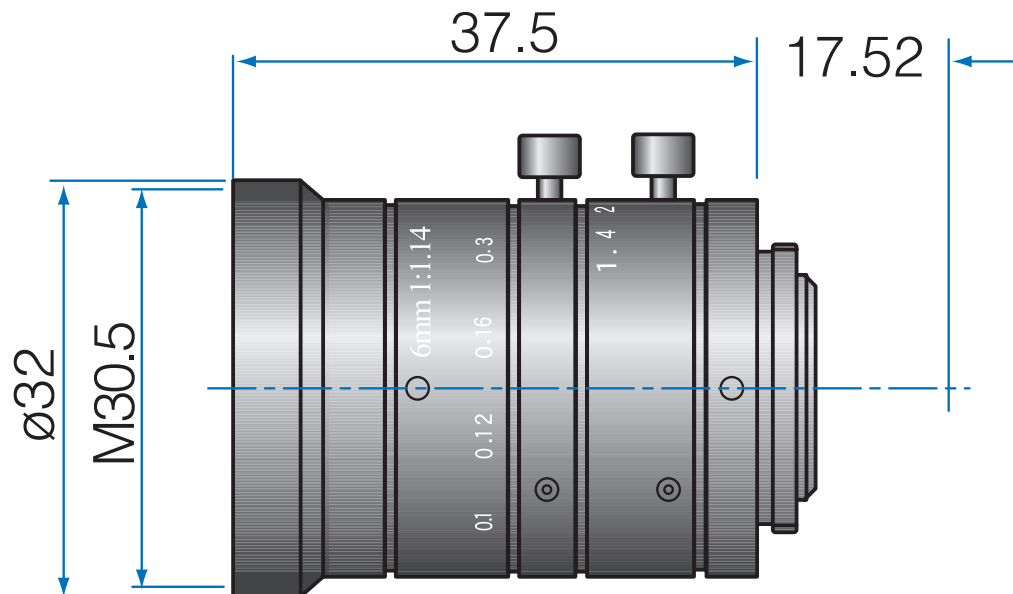


1.5 MP 1/2" Fixed-Focal

# GMHR26014MCN



Part No.	GMHR26014MCN
Focal Length	6mm
Iris Range	f/1.4-16 (Click-Stop)
Lens Format	1/2"
Resolution	120 lp/mm
MOD	200mm
Mount	C
Filter Thread	M30.5xP0.5
Angle of View (HxV) 1/2"	57.4° x 44.3° x 72.9°
Weight	110g
Dimension (DxL)	$\varnothing 34 \times 16$



945 East 11<sup>th</sup> Avenue Tampa, FL 33605

Phone: (813) 984-0125

Contact: Sales@ pyramidimaging.com

<https://pyramidimaging.com>