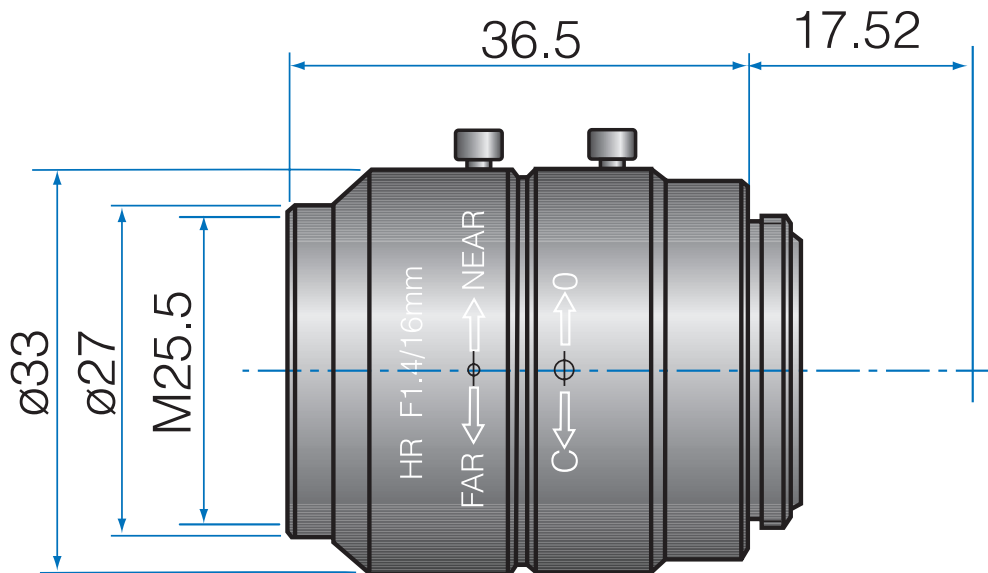


1.5 MP 2/3" Fixed-Focal

# GMHR31614MCN



Part No.	GMHR31614MCN
Focal Length	16mm
Iris Range	f/1.4-Close
Lens Format	2/3"
Resolution	120 lp/mm
MOD	200mm
Mount	C
Filter Thread	M25.5xP0.5
Angle of View (HxVxD) 1/2"	21.8° x 16.4° x 27.0°
Angle of View (HxVxD) 2/3"	30.0° x 22.7° x 37.0°
Weight	85g
Dimension (DxL)	$\varnothing 33$ x 37.0