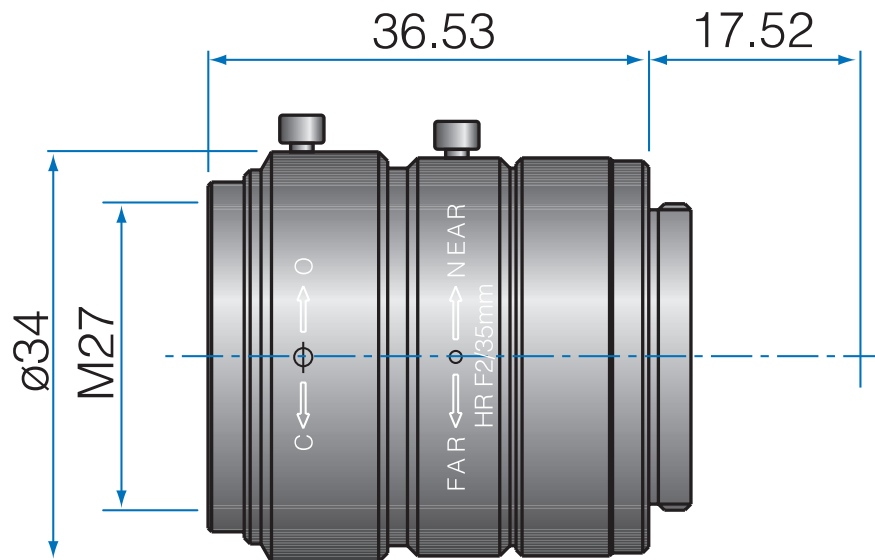


1.5 MP 2/3" Fixed-Focal

GMHR33520MCN



Part No.	GMHR33520MCN
Focal Length	35mm
Iris Range	f/2.0-16
Lens Format	2/3"
Resolution	120 lp/mm
MOD	200mm
Mount	C
Filter Thread	M27 x P0.5
Angle of View (HxVxD) 1/2"	10.5° x 7.85° x 13.1°
Angle of View (HxVxD) 2/3"	14.4° x 10.8° x 17.9°
Weight	95g
Dimension (DxL)	$\varnothing 34$ x 36



945 East 11th Avenue Tampa, FL 33605

Phone: (813) 984-0125

Contact: Sales@pyramidimaging.com

<https://pyramidimaging.com>