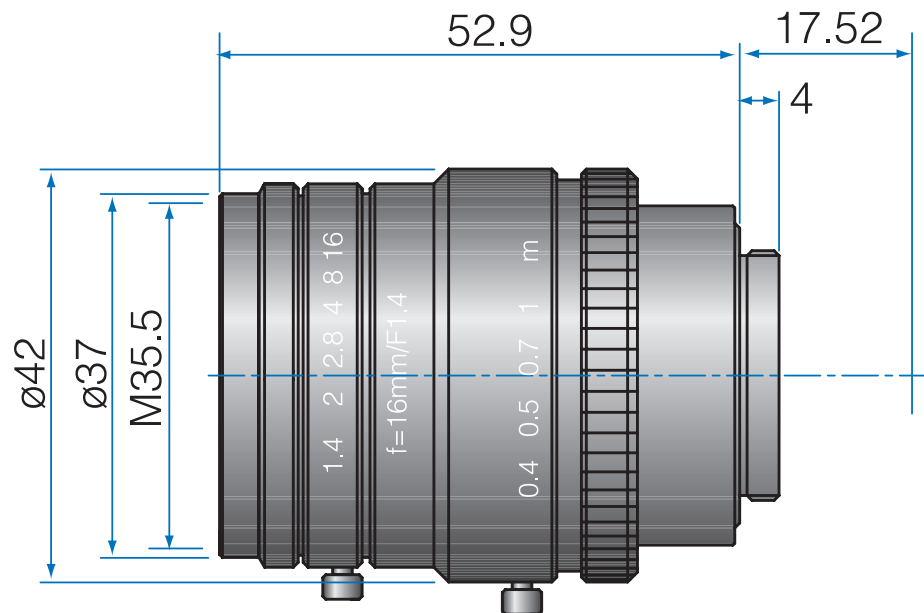


1.5 MP 1" Fixed-Focal

# GMHR41614MCN



Part No.	GMHR41614MCN
Focal Length	16mm
Iris Range	f/1.4-16
Lens Format	1"
Resolution	120 lp/mm
MOD	300mm
Mount	C
Filter Thread	M35.5xP0.5
Angle of View (HxVxD) 1"	44.3° x 33.6° x 54.4°
Weight	140g
Dimension (DxL)	$\varnothing 42$ x 53



945 East 11<sup>th</sup> Avenue Tampa, FL 33605

Phone: (813) 984-0125

Contact: Sales@ pyramidimaging.com

<https://pyramidimaging.com>