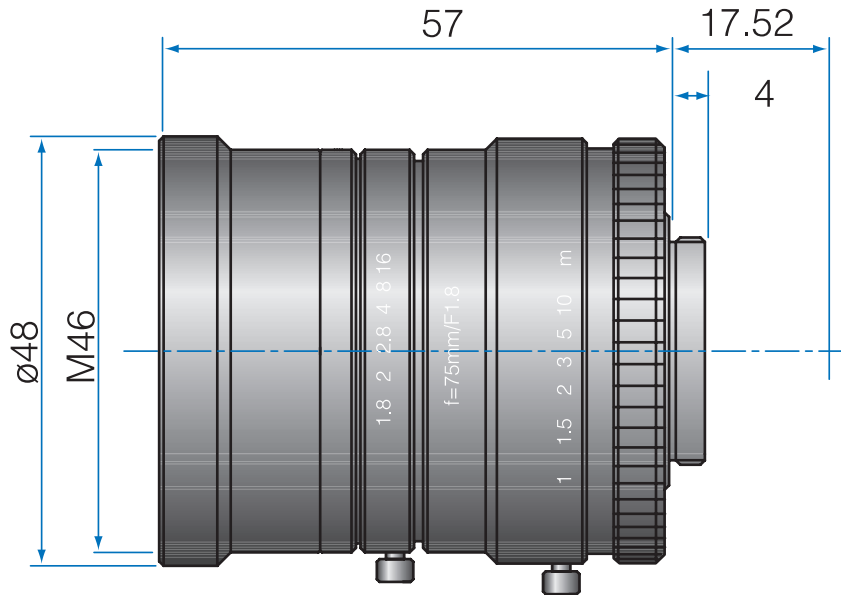


1.5 MP 1" Fixed-Focal

GMHR47518MCN



| Part No. | GMHR47518MCN |
|--------------------------|---------------------|
| Focal Length | 75mm |
| Iris Range | f/1.8-16 |
| Lens Format | 1" |
| Resolution | 120 lp/mm |
| MOD | 1000mm |
| Mount | C |
| Filter Thread | M46xP0.75 |
| Angle of View (HxVxD) 1" | 9.7° x 7.3° x 12.0° |
| Weight | 180g |
| Dimension (DxL) | Ø48 x 57 |



945 East 11th Avenue Tampa, FL 33605

Phone: (813) 984-0125

Contact: Sales@ pyramidimaging.com

<https://pyramidimaging.com>