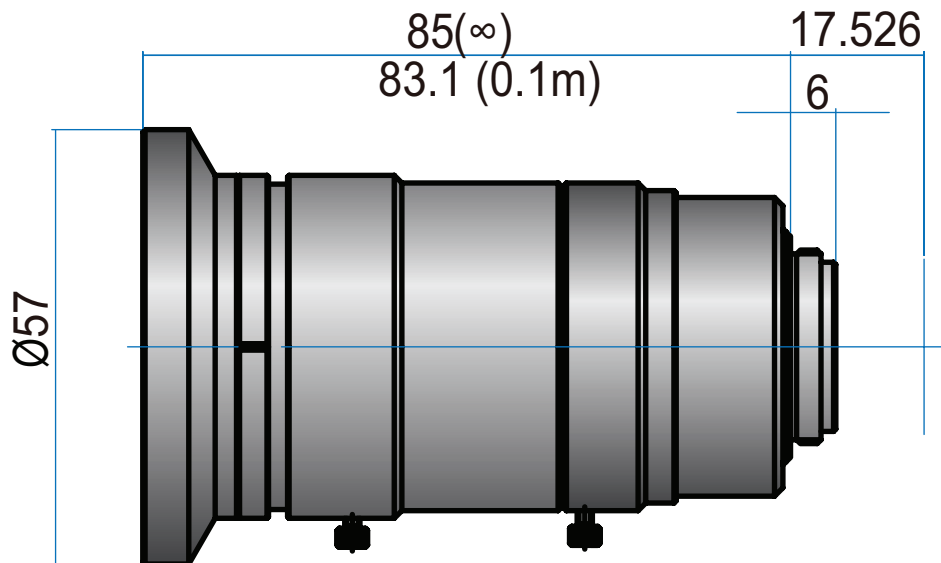


1.5 MP 4/3" Fixed-Focal

# GMHR61220MCN



Part No.	GMHR61220MCN
Focal Length	12mm
Iris Range	f/2-22
Lens Format	4/3"
Resolution	120 lp/mm
MOD	100mm
Mount	C
Filter Thread	M55 x P0.75
Angle of View (HxVxD) 1"	74.9° x 59.6°x 86.8°
Weight	270g
Dimension (DxL)	Ø57 x 85



945 East 11<sup>th</sup> Avenue Tampa, FL 33605

Phone: (813) 984-0125

Contact: Sales@pyramidimaging.com

<https://pyramidimaging.com>