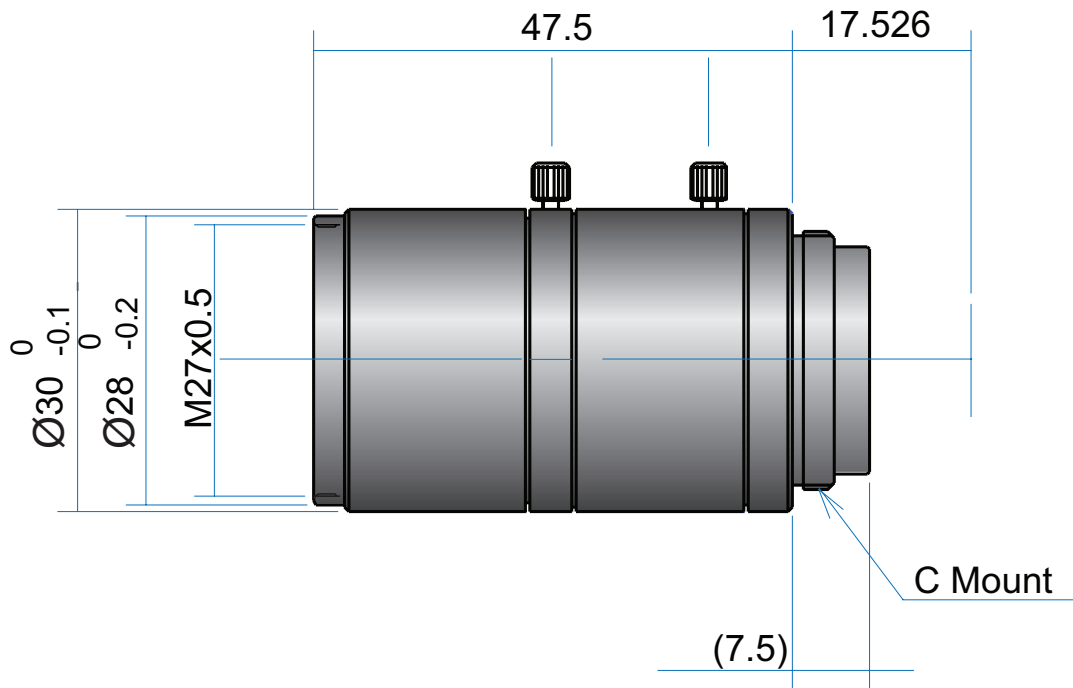


3 MP 2/3" Fixed-Focal

GMTHR38014MCN



Part No.	GMTHR38014MCN
Focal Length	8.25mm
Iris Range	f/1.44-16(Click-Stop)
Lens Format	2/3"
Resolution	140 lp/mm
MOD	100mm
Mount	C
Filter Thread	M27xP0.5
Angle of View (HxVxD) 2/3"	57.32° x 44.29° x 68.66°
Weight	85g
Dimension (DxL)	$\varnothing 30$ x 47.5



945 East 11th Avenue Tampa, FL 33605

Phone: (813) 984-0125

Contact: Sales@ pyramidimaging.com

<https://pyramidimaging.com>