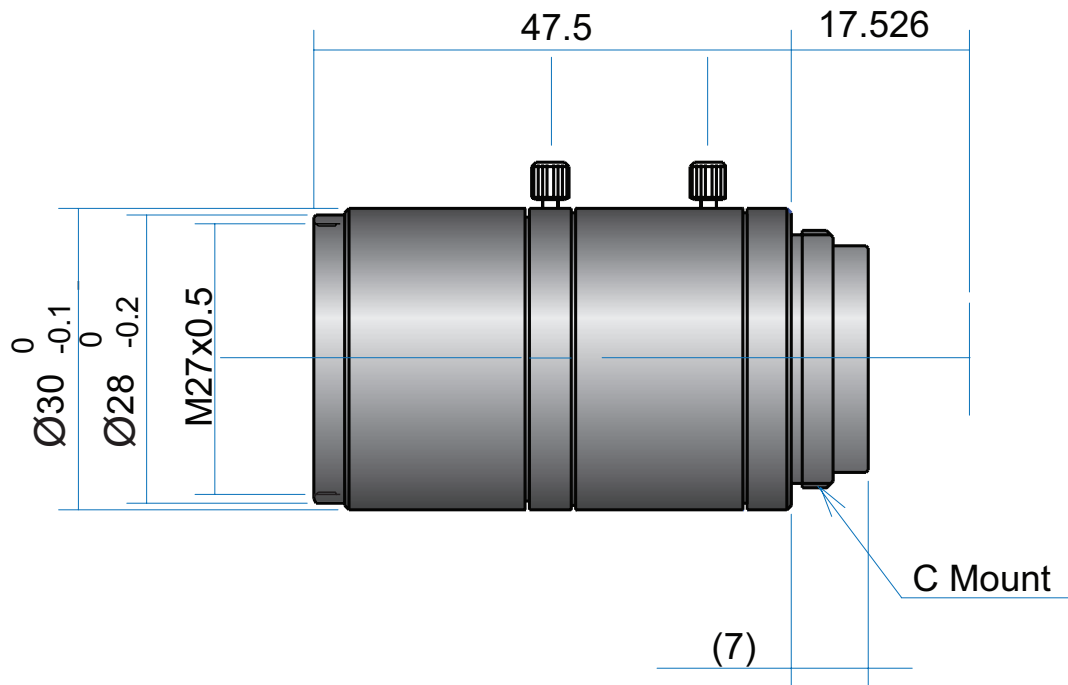


3 MP 2/3" Fixed-Focal

GMTHR31214MCN



Part No.	GMTHR31214MCN
Focal Length	12.3mm
Iris Range	f/1.45-16 (Click-Stop)
Lens Format	2/3"
Resolution	140 lp/mm
MOD	100mm
Mount	C
Filter Thread	M27xP0.5
Angle of View (HxVxD) 2/3"	39.59° x 30.17° x 48.38°
Weight	90g
Dimension (DxL)	$\varnothing 30 \times 47.5$



945 East 11th Avenue Tampa, FL 33605

Phone: (813) 984-0125

Contact: Sales@pyramidimaging.com

<https://pyramidimaging.com>