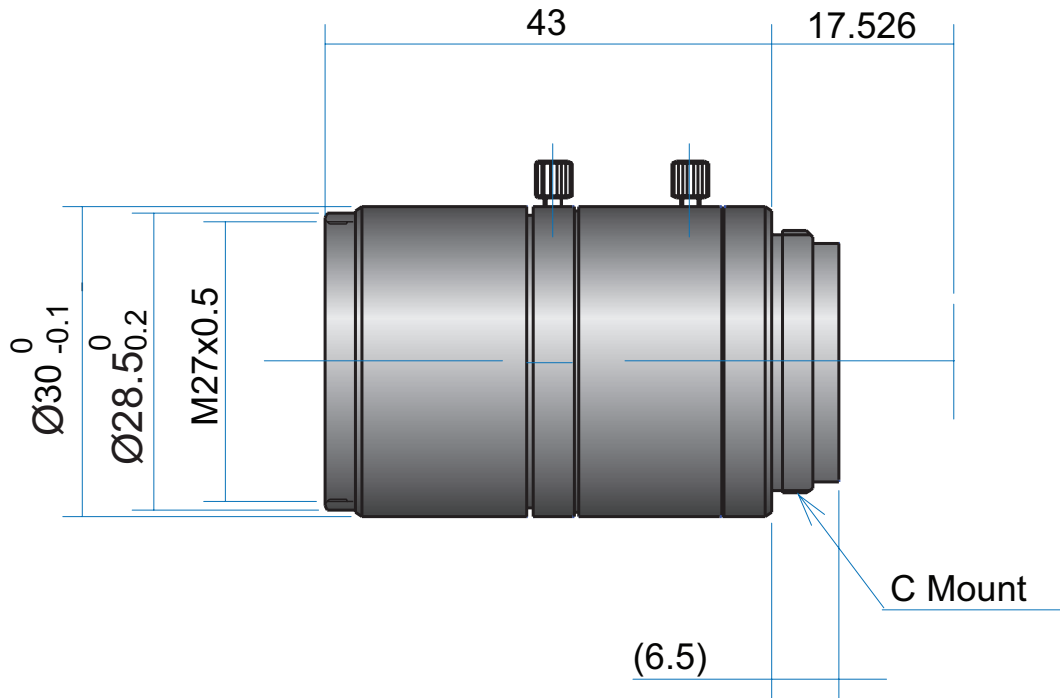


3 MP 2/3" Fixed-Focal

# GMTHR31614MCN



Part No.	GMTHR31614MCN
Focal Length	16.2mm
Iris Range	f/1.45-16 (Click-Stop)
Lens Format	2/3"
Resolution	140 lp/mm
MOD	100mm
Mount	C
Filter Thread	M27xP0.5
Angle of View (HxVxD) 2/3"	30.46° x 23.07° x 37.55°
Weight	80g
Dimension (DxL)	Ø30 x 42.5



945 East 11<sup>th</sup> Avenue Tampa, FL 33605

Phone: (813) 984-0125

Contact: Sales@ pyramidimaging.com

<https://pyramidimaging.com>