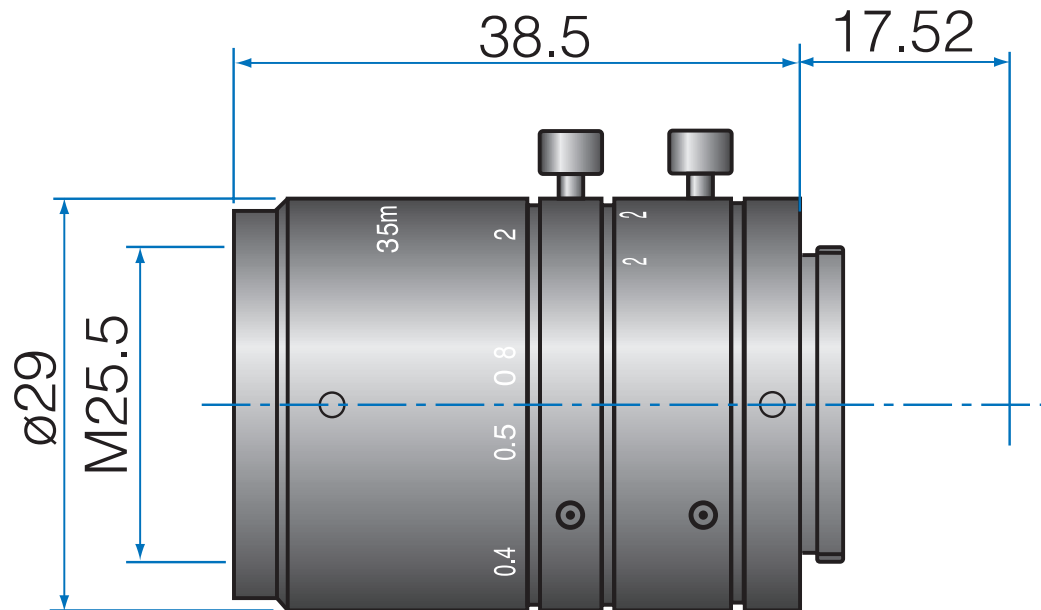


3 MP 2/3" Fixed-Focal

GMTHR33520MCN



| Part No. | GMTHR33520MCN |
|----------------------------|-----------------------|
| Focal Length | 35mm |
| Iris Range | f/2.0-22 (Click-Stop) |
| Lens Format | 2/3" |
| Resolution | 140 lp/mm |
| MOD | 250mm |
| Mount | C |
| Filter Thread | M25.5xP0.5 |
| Angle of View (HxVxD) 1/2" | 10.5° x 7.9° x 13.1° |
| Angle of View (HxVxD) 2/3" | 14.3° x 10.5° x 17.8° |
| Weight | 60g |
| Dimension (DxL) | $\varnothing 29$ x 39 |



945 East 11th Avenue Tampa, FL 33605

Phone: (813) 984-0125

Contact: Sales@pyramidimaging.com

<https://pyramidimaging.com>