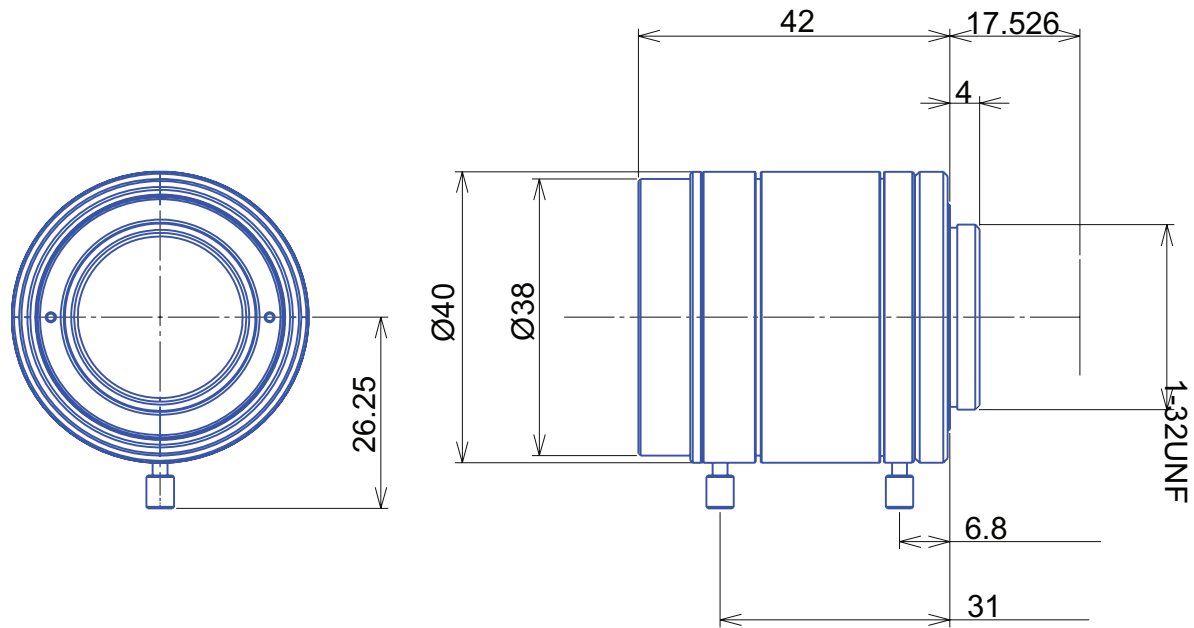


3 MP 1" Fixed-Focal

GMTHR41614MCN



Part No.	GMTHR41614MCN
Focal Length	16mm
Iris Range	f/1.4-16
Lens Format	1"
Resolution	140 lp/mm
MOD	300mm
Mount	C
Filter Thread	M35.5 x P0.5
Angle of View (HxVxD) 1"	44.5° x 33.8° x 54.6°
Weight	300g
Dimension (DxL)	Ø40 x 42



945 East 11th Avenue Tampa, FL 33605

Phone: (813) 984-0125

Contact: Sales@ pyramidimaging.com

<https://pyramidimaging.com>