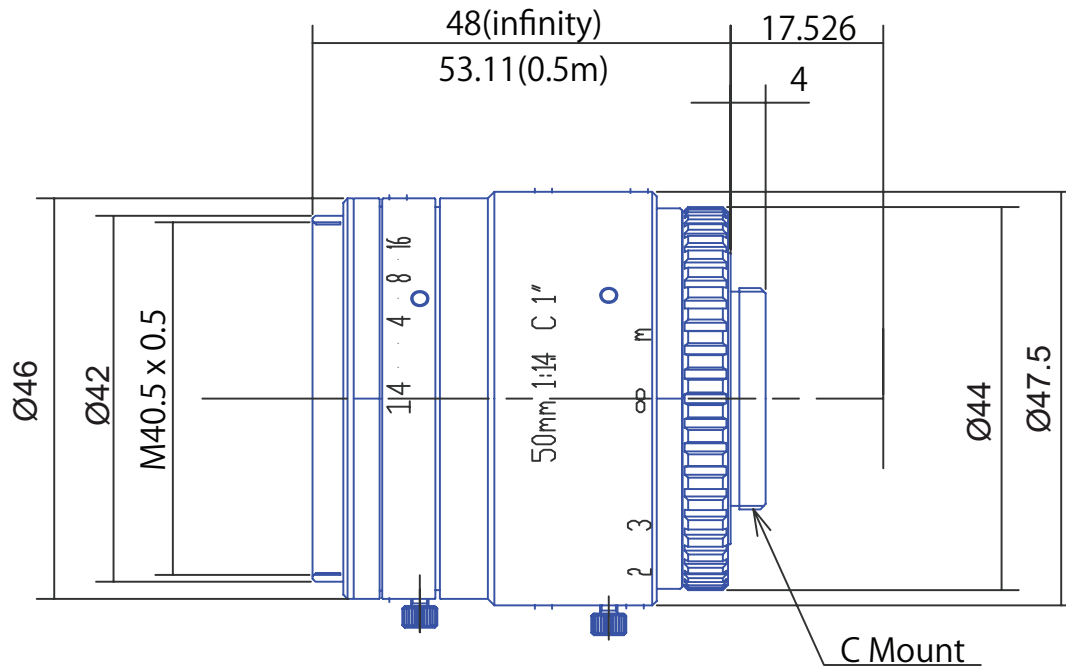


3 MP 1" Fixed-Focal

GMTHR45014MCN



Part No.	GMTHR45014MCN
Focal Length	50mm
Iris Range	f/1.4-16
Lens Format	1"
Resolution	140 lp/mm
MOD	500mm
Mount	C
Filter Thread	M40.5 x P0.5
Angle of View (HxVxD) 1"	14.5° x 10.92° x 18.03°
Weight	225g
Dimension (DxL)	Ø47.5 x 48



945 East 11th Avenue Tampa, FL 33605

Phone: (813) 984-0125

Contact: Sales@pyramidimaging.com

<https://pyramidimaging.com>