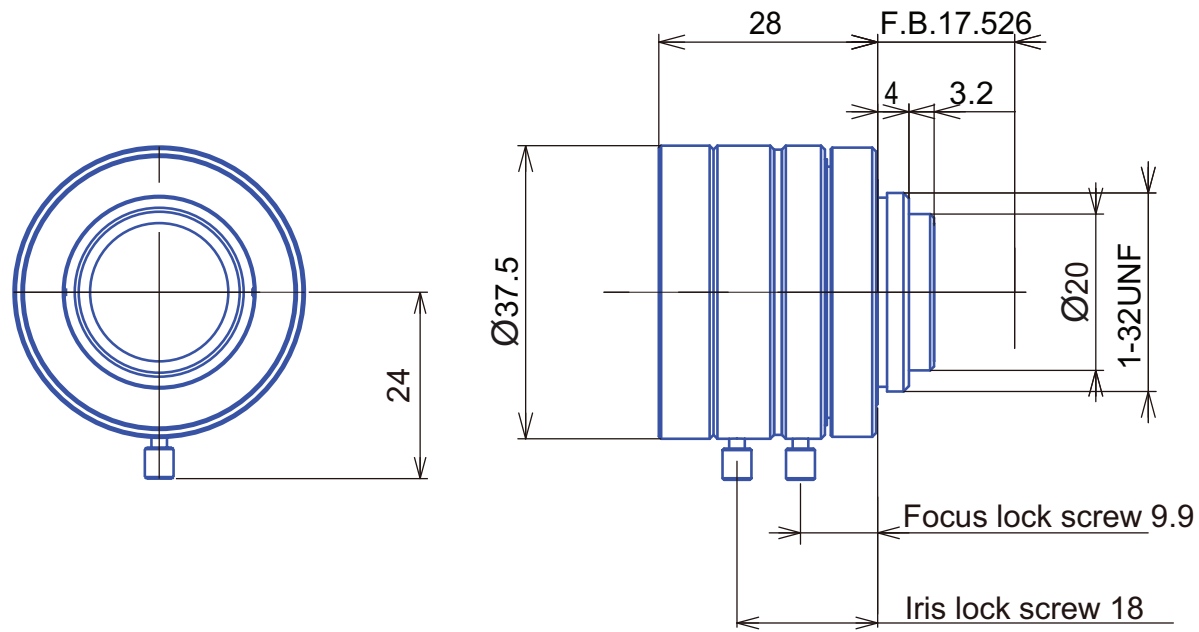


3 MP 2/3" Fixed-Focal

GMXHR38014MCN



Part No.	GMXHR38014MCN
Focal Length	8mm
Iris Range	f/1.4-22
Lens Format	2/3"
Resolution	140 lp/mm
MOD	100mm
Mount	C
Filter Thread	M35.5xP0.5
Angle of View (HxVxD) 2/3"	56.7° x 43.8° x 68.2°
Weight	80g
Dimension (DxL)	Ø37.5 x 28
Drive	-



945 East 11th Avenue Tampa, FL 33605

Phone: (813) 984-0125

Contact: Sales@ pyramidimaging.com

<https://pyramidimaging.com>